

股票代碼：8932

**MAX<sup>®</sup>** 宏大拉鍊股份有限公司  
**MAX ZIPPER CO., LTD.**

<http://newmops.twse.com.tw>  
<http://www.maxzip.com.tw>

---

E-MAIL [speak@naxzi.p.com.tw](mailto:speak@naxzi.p.com.tw)

E-MAIL [speak@naxzi.p.com.tw](mailto:speak@naxzi.p.com.tw)

114

196 7

325

17

[www.pscnet.com.tw](http://www.pscnet.com.tw)

105

[www.dioitte.com.tw](http://www.dioitte.com.tw)

[www.naxzi.p.com.tw](http://www.naxzi.p.com.tw)

---

# 目 錄

壹、致股東報告書.....	C2
貳、公司簡介.....	H2
	F2
	F2
參、公司治理報告.....	G1
	H2
	J2
	CK2
	DJ2
	DK2
	2
	EB2
	2
	EB2
	2
	EC2
	2
	EC2
肆、募資情形.....	ED
	ED2
	EG2
	EG2
	EG2
	EG2
	EG2
	EG2
	EG2
伍、營運概況.....	EE2
	EH2
	EJ2
	2
	GB2
	GB2
	GB2
	GB2

陸、財務概況	68
	GE2
	GG2
	GI 2
	GJ2
	KF2
	2
	CEJ2
柒、財務狀況及經營結果之檢討分析與風險事項	682
	CEE2
	CEF2
	CEG2
	2
	CEG2
	CEG2
	CEH2
捌、特別記載事項	687
	CEI 2
	CFC2
	CFC2
	CFC2
玖、最近年度及截至年報刊印日止，發生證券交易法第三十六條第二項2 2222第二款所定對股東權益或證券價格有重大影響之事項	690

壹、股東報告書



KK

KK

九十九年度營業報告

: ; 2  
O@ 2

2

A A 2

2	2		2		: ; 2		: ; 2	
	2	2	2	2	2	2	2	2
22 2	EG>BBB2	GCC>BBB	GFC>BBB	FDF>BBB	CKF>BBB	CDI >BBB2	EG@H	DK@KG
22 2	GC>BBB2	FF>I BB	DK>BBB	EE>FBB	DD>GBB	CC>EBB2	II @GK	EE@E
22 2		GKG>I BB		FGI >FBB		CEJ >EBB2		EB@DF

D@ 2

2

2

2	2	2	: ; 2	: ; 2
22 2	I CE>HBB2	FKG>DBB2	DCJ >FBB2	FF@CB2

2

: ; 2

2

: ; 2

2222222222 2222 2		KK 2	KJ 2
2	: 7; 2	GE@D2	2G@D2
	: 7; 2	DBI @KF2	DDH@H2
2	: 7; 2	CCC@KD2	CED@D2
	: 7; 2	JE@DK2	CEB@GD2
2	: 7; 2	D@FK2	22D@F 2
	: 7; 2	E@ J2	22E@GH2
	2 7; 2	H@OD2	22?B@DB2
	2 7; 2	E@GF2	22F@K2
	: 7; 2	D@D 2	2D@H 2
	: ; 2	B@EE2	2B@EB2

2

: ;

2

>

L2

2	2	2	2
	2	bak> 2	
2	22222 5G>5J>5CB2	2	2

2

### 一 百 年 營 運 計 劃 概 要

: ;

2

C@

2

D@

2

E@

2

F@

2

2

: ;

2

I G>BBB>BBB

G>DBB>BBB

2

2

: ;

2

C@

2

GB

DBCB

\Ubw , w

Zi S^?\_Sdf

^sx%6s

DBCC

22

D@

2

YaaY^W

DBCB

TDT

2

E@

2

DBCB

DBCC

2

F@

2

2

2

未來公司發展策略2

: ;

2

: ;

2

: ;

2

2

受到外部競爭環境、法規環境及總體經營環境之影響2

DBBG av}f?fvWE DBBH [, ^wt^w}2Mf?  
 Uwt^ {x{us^ {f, 2btfv%ω †2U-s††2C DBBH av}f?fvWE  
 DBBJ ?  
 ? DBBK [eaKBBC [eaCFBBB

2

VWXS

2

2

DBCC

DBCC

~~~~~

~~~~~希望各位股東繼續給予支持與鼓勵，感謝大家！最後敬祝各位：2

~~~~~平安快樂22心想事成~~~~~

~~~~~董事長：洪寶川222222



2

2

2

## 貳、公司簡介2

2  
2  
2  
CKI J2 D 2  
CKI K2 \_Sj 2  
CKJB2 2  
CKJF2 2  
CKJG2 H S^bZS22\_[ Uda22CBBBW  
2  
CKJH2 2 2 EJD YaeW2Ua@2  
^fV  
2  
CKJI 2 KCH  
2  
CKJJ2  
2  
CKKC2 EB YaeW2Ua@2  
^fV@2  
bU2 Wfi ad]  
2  
CKKE2 CFI  
2  
CKKG2 CD : ; 2  
CKKH2 EKH  
2  
CKKI 2 D>DBB  
2  
CKKJ 2 D>DBB  
F>GHD 2  
CKKJ2 H \_Sj 2[ `hWf\_Wf2Ua` eg^f[ `Y2Ua@2  
^fV@2  
CKKK2 [ea?KBBD  
2

DBBB2

2

DBBC2 EADK

2

DBBD2 F  
^fV@2

\_Sj 2[ `fVt Sf[a` S^2[ `hVt`\_Wf 2Ua@-2

G

\_Sj 2[ `fVt Sf[a` S^2fdSV[ `Y2Ua@-2^fV@2

2

DBBF2

2

DBBJ2 D

: ;

[eaKBBC [eaCFBBB

2

H

2

2

DBCB2

\_Sj 2[ `hVt`\_Wf 2Ua`eg^f[ `Y2Ua@-2^fV@

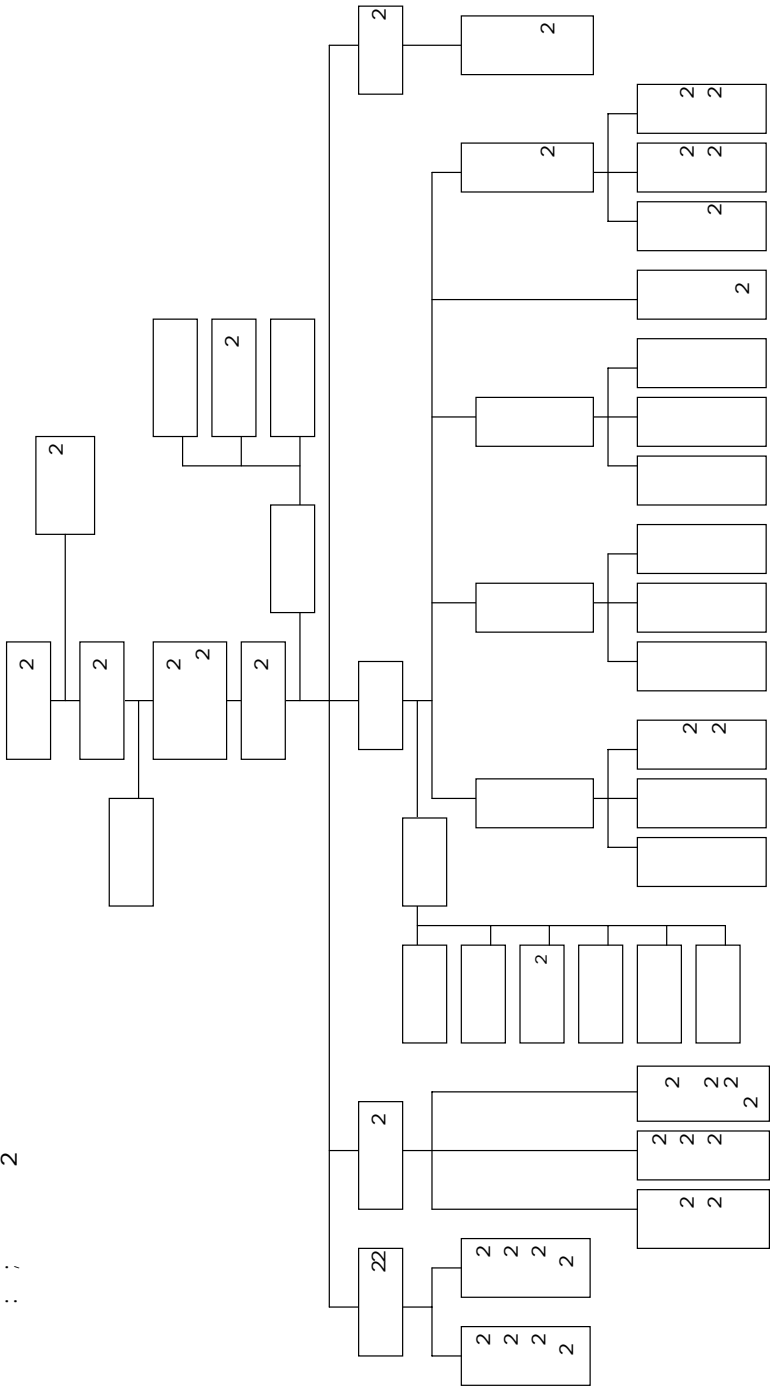
I E@CH7 2

2

??????????

參、公司治理報告2

： ； 2



: ;

|   |  |
|---|--|
|   |  |
| 2 | C@ 2<br>D@ 2<br>E@ 2<br>F@ 2<br>G@ 2                               |
|   | C@ 2<br>D@ 2<br>E@ 2<br>F@ 2<br>G@ 2<br>H@ 2<br>I@ 2<br>J@ 2<br>K@ |
|   | C@ 2<br>D@ 2<br>E@ 2<br>F@ 2                                       |
|   | C@ 2<br>D@ 2<br>E@ 2<br>F@ 2                                       |
|   | 2  |







D@

|  |  |   |   | 2 |   |   |   |   |   |   |   |   |    | 2 |
|--|--|---|---|---|---|---|---|---|---|---|---|---|----|---|
|  |  |   |   | 1 | 2 | 3 | 4 | 5 | 6 | 7 | 8 | 9 | 10 |   |
|  |  |   | ✓ |   |   |   |   |   |   |   |   | ✓ |    |   |
|  |  |   | ✓ | ✓ | ✓ | ✓ | ✓ |   |   | ✓ | ✓ | ✓ |    |   |
|  |  |   | ✓ |   |   |   |   |   |   |   |   | ✓ |    |   |
|  |  |   | ✓ |   |   | ✓ | ✓ |   |   | ✓ | ✓ | ✓ |    |   |
|  |  |   | ✓ |   |   | ✓ | ✓ |   |   | ✓ | ✓ | ✓ |    |   |
|  |  |   | ✓ |   | ✓ |   |   |   |   | ✓ |   | ✓ |    |   |
|  |  |   | ✓ |   |   |   |   | ✓ | ✓ |   |   | ✓ | ✓  |   |
|  |  | ✓ | ✓ |   |   | ✓ | ✓ |   |   | ✓ | ✓ | ✓ |    |   |
|  |  |   | ✓ |   |   | ✓ | ✓ |   |   | ✓ | ✓ | ✓ |    |   |

“√”

: C 2

: D :

; 2

: E:

2

: F:

2

: G:

2

: H:

2

: I:

2

: J:

2

: K:

EB

2

: CB:

27



2

：

1、董事之酬金

XXXXXXXXXXXXXXXXXXXX

KK

|   | (A) | (B) | (C) | (D) | A B C<br>D (%) |      |      | (E)   | (F) | (G) |   |   | (H) | A B C D<br>E F G (%) |       |       |  |
|---|-----|-----|-----|-----|----------------|------|------|-------|-----|-----|---|---|-----|----------------------|-------|-------|--|
|   |     |     |     |     |                |      |      |       |     |     |   |   |     |                      |       |       |  |
|   |     |     |     |     |                |      |      |       |     |     |   |   |     |                      |       |       |  |
| ： |     |     |     |     |                |      |      |       |     |     |   |   |     |                      |       |       |  |
| ： |     |     |     |     |                |      |      |       |     |     |   |   |     |                      |       |       |  |
| ： |     |     |     |     |                |      |      |       |     |     |   |   |     |                      |       |       |  |
| ： | 0   | 0   | 0   | 0   | 180            | 1.13 | 1.25 | 2,072 | 0   | 0   | 0 | 0 | 0   | 0                    | 14.16 | 15.64 |  |
| 2 |     |     |     |     |                |      |      |       |     |     |   |   |     |                      |       |       |  |
| ： |     |     |     |     |                |      |      |       |     |     |   |   |     |                      |       |       |  |
| ： |     |     |     |     |                |      |      |       |     |     |   |   |     |                      |       |       |  |
| ： |     |     |     |     |                |      |      |       |     |     |   |   |     |                      |       |       |  |

酬金緩距表

|             |             | (A+B+C+D) |   | (A+B+C+D+E+F+G) |   |
|-------------|-------------|-----------|---|-----------------|---|
|             | : ;         | : ;       | 2 | : ;             | 2 |
|             | : ;         | : ;       | 2 | : ;             | 2 |
|             | : ;         | : ;       | 2 | : ;             | 2 |
|             | : ;         | : ;       | 2 | : ;             | 2 |
|             | : ;         | : ;       | 2 | : ;             | 2 |
|             | : ;         | : ;       | 2 | : ;             | 2 |
| 2,000,000   | : ;         | : ;       | 2 | : ;             | 2 |
| 2,000,000   | 5,000,000   |           | 2 |                 | 2 |
| 5,000,000   | 10,000,000  |           | 2 |                 | 2 |
| 10,000,000  | 15,000,000  |           | 2 |                 | 2 |
| 15,000,000  | 30,000,000  |           | 2 |                 | 2 |
| 30,000,000  | 50,000,000  |           | 2 |                 | 2 |
| 50,000,000  | 100,000,000 |           | 2 |                 | 2 |
| 100,000,000 |             |           | 2 |                 | 2 |
|             | 6           | 6         | 6 | 6               | 6 |



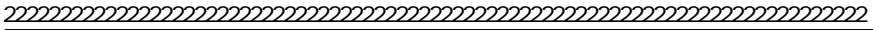


( )

2

C@

2



72

| 2  | 99   |      | 98   |      | 2 |
|----|------|------|------|------|---|
|    | 2    |      | 2    | 2    |   |
| 22 | 1.13 | 1.25 | 1.69 | 0.66 | 2 |
| 2  | 0.63 | 0.69 | 1.02 | 0.39 | 2 |
| 2  | 7.56 | 8.36 | 8.16 | 3.16 | 2 |

D@ C;

: D;

2

: E;

( )

:KK

;

252 (S:

|      |     | ( )<br>( ) |   | ( ) (%)<br>/ |  |
|------|-----|------------|---|--------------|--|
|      | ( ) | 5          | 0 | 100.00       |  |
|      | ( ) | 5          | 0 | 100.00       |  |
|      | ( ) | 5          | 0 | 100.00       |  |
|      | ( ) | 0          | 0 | 0.00         |  |
|      | ( ) | 3          | 0 | 60.00        |  |
|      | ( ) | 4          | 0 | 80.00        |  |
|      |     | 5          | 0 | 100.00       |  |
|      | ( ) | 5          | 0 | 100.00       |  |
|      | ( ) | 2          | 0 | 40.00        |  |
| 14 3 |     |            |   |              |  |

2

( )

1.

2.

: KK ; 2 G2 S 2

|  |         |   |             |   |
|--|---------|---|-------------|---|
| 2 2  | ~~~~~ 2 | 2 | : 7;<br>/ 2 | 2 |
|  |         | 5 | 100.00      |   |
|  | ( )     | 5 | 100.00      |   |
|  | ( )     | 2 | 40.00       |   |
| <p>2</p> <p>2</p> <p>2</p> <p>2</p> <p>1.</p> <p>D@</p> <p>E@</p> <p>2</p> <p>2</p> <p>2</p> |         |   |             |   |

( )

|     |     |  |
|-----|-----|--|
|     |     |  |
| ( ) |     |  |
| ( ) | ( ) |  |
| ( ) |     |  |
| ( ) |     |  |
| ( ) |     |  |
| ( ) |     |  |
|     |     |  |

|  |   |  |
|--|---|--|
|  |   |  |
| ( )  | <a href="http://www.maxzip.com.tw">http://www.maxzip.com.tw</a>     |  |
| ( )  | <a href="http://newmops.twse.com.tw">http://newmops.twse.com.tw</a> |  |
|  |   |  |
| <pre> : ; : ;      bGB      2 : ; : ; : ;      2 : ;      2 : ;      (http://newmops.twse.com.tw) : ;      P135 : ; : ; </pre> |   |  |
| <pre> 2 : ; 2 : ; : ;      2 : ;      2 1.      : z^^,LAAx &lt;&lt; @CSCE{, @yfC@ &lt; A; 2. 3. </pre>                         |   |  |

( )

( )

|   |   |  |  |
|---|---|--|--|
|   |   |  |  |
| 1 | 1 |  |  |
| 2 | 2 |  |  |
| 3 | 3 |  |  |
|   |   |  |  |
| 1 | 1 |  |  |
| 2 | 2 |  |  |
| 3 | 3 |  |  |
| 4 | 4 |  |  |

|   |   |   |   |
|---|---|---|---|
|   |   |   |   |
| 1 | 1 | 2 |   |
| 2 | 2 | 2 | 2 |
| 3 | 3 | 2 | 2 |

|   |   |            |        |
|---|---|------------|--------|
|   |   |            |        |
| 4 | 4 | REACH<br>2 | 2      |
| 5 | 5 | REACH      | 2<br>2 |
| 1 | 1 |            |        |
| 2 | 2 |            |        |
|   |   |            | 2      |



( )

1.

2.

(1)

(2)

(3)

(4)

( )

( )



2.

( ;

( )

| 2      | 2              | 2   |
|--------|----------------|---|
| 2      | KK@BE@EC2<br>2 | C@ 2  |
|        |                | D@ 2  |
|        |                | E@ 2  |
|        |                | F@ 2  |
|        |                | G@ 2  |
|        |                | H@ _Sj 2[ `hVef_Wf2Ua' eg^f[ `Y2Ua@-2^fV@ 2 |
|        |                | I@ 2  |
|        |                | J@ 2  |
|        |                | K@ 2  |
|        |                | OB@ : ; ; 2<br>222 : ; DBB<br>2             |
|        |                | OC@ 2                                       |
|        |                | OD@ 2                                       |
|        |                | OE@ 2                                       |
|        |                | 2   |
| D@ 2   |                |   |
| E@ 2   |                |   |
| F@ 2   |                |   |
| G@ 2   |                |   |
|        |                |   |
| 2      | KK@BI@IK       | C@ ? 2                                      |
|        |                | D@ KKBEEC :OB : ;<br>2                      |
|        |                | E@ : ; 2                                    |
|        |                | F@ ? _I[ OFH 2                              |
| 2<br>2 | KK@BJ@EB2      | C@ 2  |
|        |                | D@ 2  |
|        |                | E@ : ; 2                                    |
| 2      | KK@OD@BH2      | C@ 2  |
|        |                | D@ 2  |
|        |                | E@ : ; ; 2                                  |
|        |                | F@ ? _I[ OB 2                               |

| 2 | 2          | 2              |
|---|------------|----------------|
| 2 | CBB@BF@BC2 | C@ 2           |
|   |            | D@ 2           |
|   |            | E@ 2           |
|   |            | F@ 2           |
|   |            | G@ 2           |
|   |            | H@ : ; 2       |
|   |            | I@ ? _ [ CBB 2 |
|   |            | J@ : ; 2       |
|   |            | K@ 2           |
|   |            | CB@ 2          |
|   |            | CC@ 2          |
|   |            | CD@ 2          |
|   |            | CE@ 2          |

( )

( )

)

(

100 04 30

|  |  |          |          |
|--|--|----------|----------|
|  |  |          |          |
|  |  | 96.08.29 | 99.12.07 |

|  |  |  |                   |
|--|--|--|-------------------|
|  |  |  |                   |
|  |  |  | 99.01.01~99.09.30 |
|  |  |  | 99.10.01~99.12.31 |

|   |        |        |   |   |
|---|--------|--------|---|---|
|   |        |        |   |   |
| 1 | 2,000  |        | V | V |
| 2 | 2,000  | 4,000  | V | V |
| 3 | 4,000  | 6,000  |   |   |
| 4 | 6,000  | 8,000  |   |   |
| 5 | 8,000  | 10,000 |   |   |
| 6 | 10,000 |        |   |   |

( )

2

2

( )

2

( )

2

( )

|   |   |   |     |    |     |   |
|---|---|---|-----|----|-----|---|
| 2 | 2 | 2 | KK  | CD | DB  | 2 |
|   |   |   |     |    |     |   |
|   |   |   |     |    |     |   |
|   |   |   |     |    |     |   |
|   |   |   | ( ) |    |     |   |
|   |   |   |     |    |     |   |
|   |   |   |     |    |     |   |
|   |   |   |     |    |     |   |
|   |   |   |     |    | 2 2 |   |
|   |   |   |     |    |     |   |
|   |   |   | V   |    |     |   |
|   |   |   |     |    |     |   |
| ( |   |   |     |    |     | ) |

( )

|  |          |
|--|----------|
|  |          |
|  |          |
|  | 99 12 20 |
|  |          |
|  |          |

( )

10 5 1 2 3

2

( )

|     |     | KK 2 |   | BF EB2 |             |
|-----|-----|------|---|--------|-------------|
|     |     |      |   |        |             |
|     | ( ) | 0    | 0 | 0      | (2,000,000) |
|     | ( ) | 0    | 0 | 0      | 0           |
|     | ( ) | 0    | 0 | 0      | 0           |
| ( ) | ( ) | 0    | 0 | 0      | 0           |
|     |     | 0    | 0 | 0      | 0           |
|     | ( ) | 0    | 0 | 0      | 0           |
|     |     | 0    | 0 | 0      | 0           |
|     |     | 0    | 0 | 0      | 0           |
|     |     | 0    | 0 | 0      | 0           |
|     |     | 0    | 0 | 0      | 0           |
|     |     | 0    | 0 | 0      | 0           |
|     |     | 0    | 0 | 0      | 0           |
|     |     | 0    | 0 | 0      | 0           |





2

( ) 2

100 04 29 ( )

|     |   |   |            |            |   |            |
|-----|---|---|------------|------------|---|------------|
|     |   |   |            |            |   |            |
|     | 0 | 0 | 17         | 1,585      | 0 | 1,602      |
|     | 0 | 0 | 17,591,904 | 31,208,096 | 0 | 48,800,000 |
| (%) | 0 | 0 | 36.05      | 63.95      | 0 | 100        |

: ; 2

C@

100 04 29 ( )

|           |           |       |            |        |
|-----------|-----------|-------|------------|--------|
|           |           |       |            | (%)    |
| 1         | 999       | 506   | 46,551     | 0.10   |
| 1,000     | 5,000     | 553   | 1,411,340  | 2.89   |
| 5,001     | 10,000    | 170   | 1,479,041  | 3.03   |
| 10,001    | 15,000    | 77    | 1,005,034  | 2.06   |
| 15,001    | 20,000    | 75    | 1,447,000  | 2.97   |
| 20,001    | 30,000    | 61    | 1,646,148  | 3.37   |
| 30,001    | 40,000    | 29    | 1,070,856  | 2.19   |
| 40,001    | 50,000    | 29    | 1,362,726  | 2.79   |
| 50,001    | 100,000   | 52    | 3,928,009  | 8.05   |
| 100,001   | 200,000   | 26    | 3,806,814  | 7.80   |
| 200,001   | 400,000   | 5     | 1,588,134  | 3.25   |
| 400,001   | 600,000   | 2     | 1,033,825  | 2.12   |
| 600,001   | 800,000   | 6     | 4,038,492  | 8.28   |
| 800,001   | 1,000,000 | 0     | 0          | 0.00   |
| 1,000,001 |           | 11    | 24,936,030 | 51.10  |
|           |           | 1,602 | 48,800,000 | 100.00 |

D@

2

: )

100 04 29 ( )

|     |           | (%)   |
|-----|-----------|-------|
| ( ) | 5,001,000 | 10.25 |
| ( ) | 3,327,667 | 6.82  |
| ( ) | 3,327,667 | 6.82  |
| ( ) | 3,001,000 | 6.15  |
|     | 2,887,000 | 5.92  |

2

( )

|     |      | 98         | 99         | 100<br>3 31 |
|-----|------|------------|------------|-------------|
|     |      | 14.00      | 15.15      | 10.50       |
|     |      | 8.00       | 9.21       | 9.81        |
|     |      | 10.92      | 11.87      | 10.06       |
| ( ) |      | 8.62       | 8.62       | 8.52        |
|     |      | 8.62       | 8.62       | 8.52        |
|     |      | 48,800,000 | 48,800,000 | 48,800,000  |
|     |      | 0.30       | 0.33       | ( 0.11)     |
| ( ) |      | 0          | 0          | 0           |
|     |      | 0          | 0          | 0           |
|     |      | 0          | 0          | 0           |
|     |      | 0          | 0          | 0           |
|     | ( 1) | 36         | 36         | 0           |
|     | ( 2) | 0          | 0          | 0           |
|     | ( 3) | 0          | 0          | 0           |

1

2

3

2 ; 2

C@ 2

2

S@

2

T@

2

U@

2

2

D@

2

: ;

2

: ;

2

2222222C@

: ;

2

2222222D@

2

2222222F@

2

22222222 C

2

22222222 D

2

: E;

2

F@

2

2 ;

2

2

2

2

2

2

2

2

伍、營運概況2

2222 2

: ; 2

C@ 2

2222222222222222 C; 2

2222222222222222 D; 2

2222222222222222 E; 2

D@ 2

2FJ@EF27

2DI @CE27

200@BJ 27

I@I 27

2G@GJ 27 2

E@ 2

2

F@ 2

: C; 2

: D; 2

: E; 2

: ; 2

C@ 2

CKKB

IB

2

JB

OB

2

D@ 2

: ;

: ;

: ;

222

22 : ; 2  
: ;  
2  
E@ 2  
:G 2  
222222

gh k  
2  
:D 2  
222222

4 4

2

2  
2  
2  
: ; 2  
C@ 2  
D@ 2  
:G 2  
:D 2  
2  
: ; 2  
C@ 2  
:G

: D  
 2  
 : E; Vdb  
 2  
 : F;  
 2  
 : G  
 2  
 D@ 2  
 : C  
 2  
 : D  
 2  
 : E;  
 2  
 : F;  
 2  
 2  
 : ; 2  
 2  
 C@ 2  
 ~~~~~ 2

|         |                   |               |                   |               |
|---------|-------------------|---------------|-------------------|---------------|
| 2 2     |                   |               |                   |               |
| 2 2 2 2 | 67,770            | 9.64          | 43,548            | 7.87          |
| 2 2 2 2 | 363,280           | 51.64         | 323,010           | 58.37         |
| 2 2 2 2 | 64,145            | 9.12          | 38,692            | 6.99          |
| 2 2     | <u>208,239</u>    | <u>29.60</u>  | <u>148,150</u>    | <u>26.77</u>  |
|         | <u>\$ 703,434</u> | <u>100.00</u> | <u>\$ 553,400</u> | <u>100.00</u> |

2  
 D@ 2  
 : C 2  
 2  
 2  
 2  
 2

DCB

C@17;

:D 2

2

2

CB@

EB

2

E@ 2

:C 2

fc\_

CKJJ -CKKE

CKKG

CKKK [eaKBB

DBBG

av}f?fvE

DBBH

[, ^wt^v}2Mf?Uwt^ {x(us^ {f, 2btfv%w t2U-s+t2

C

DBBH

av}f?fvE

2

2008

-

2009

ISO9001

ISO14000

• 2010 ,

Target Wal-Mart MACYS SAKS VF EASTPAK Samsonite M&S  
BONTON Arcadia JCPenney WAL-MART USA Lafuma...

50

:D 2

YaeW

: ;  
2

:E; 2  
2

:S; 2  
 :T; 2 2  
 :U; 2 2 2  
 :V; 2 2  
 :F; 2  
 :G; 2 2  
 F@ DBBK D [eaKBBC CKKK [ea2KBBD [eaCFBBB 2  
 :C; 2 2  
 :S; : ;  
 : ; : ;  
 : ; : ;  
 :T; : ; 2 : ;  
 : ; : ;  
 : ; : ;  
 :U; 2  
 :U; 2  
 :V; 2  
 :W; 2 : ;

: X; GB 2  
: Y; DBBJ

22  
: Z; YaaY^W DBCB  
TDT 2

2  
: D; 2

: S; 2  
2

s@ 2  
t@ 2  
u@ 2

: T; 2

2  
s@ 2  
t@ 2  
u@ 2

: U; 2  
2

s@ 2  
t@ 2  
u@

2  
: V; 2  
2

: W 2  
2  
2

2  
2  
2

: ;

2

@

2

:C

2

:D

2

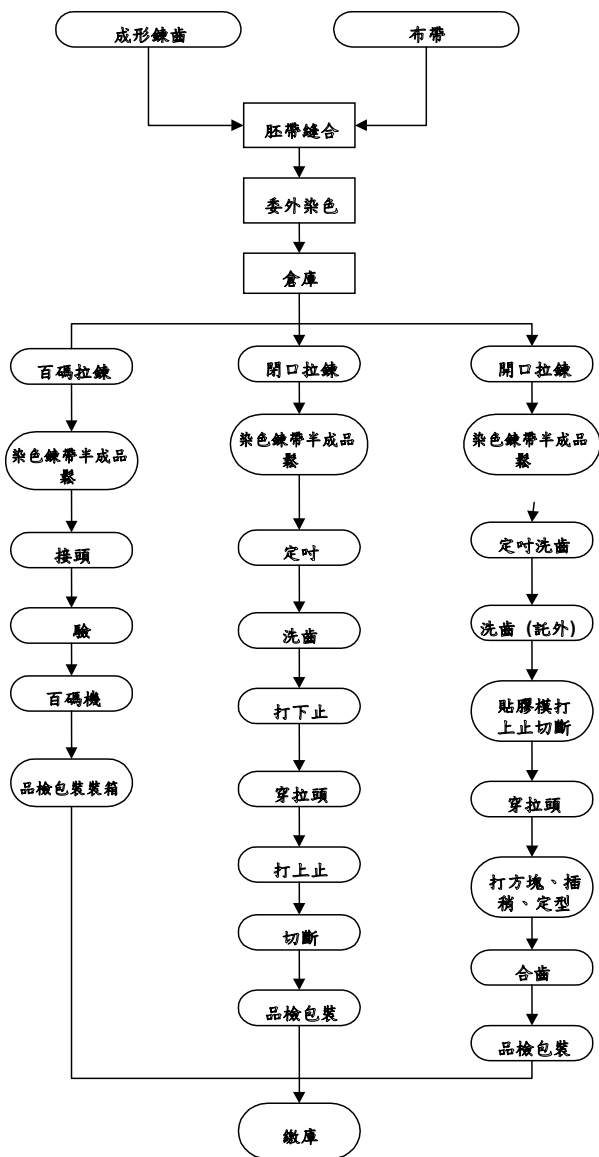
:E

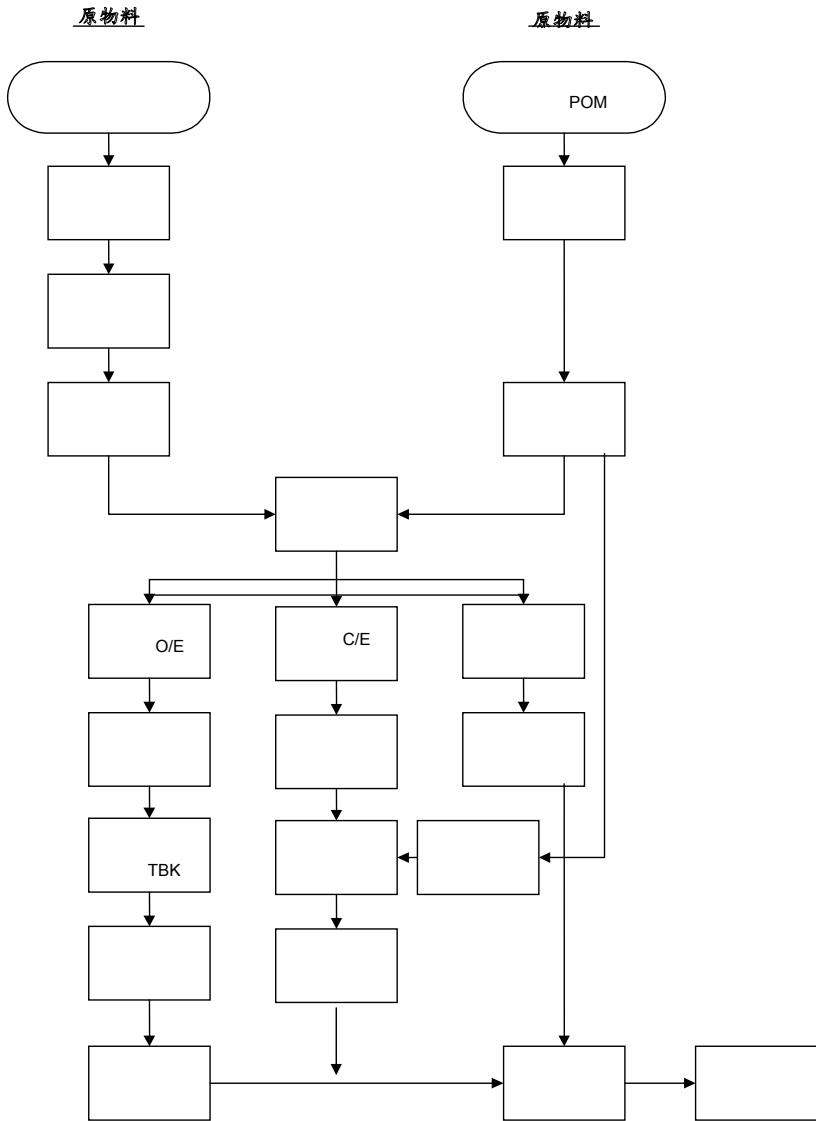
2

:F

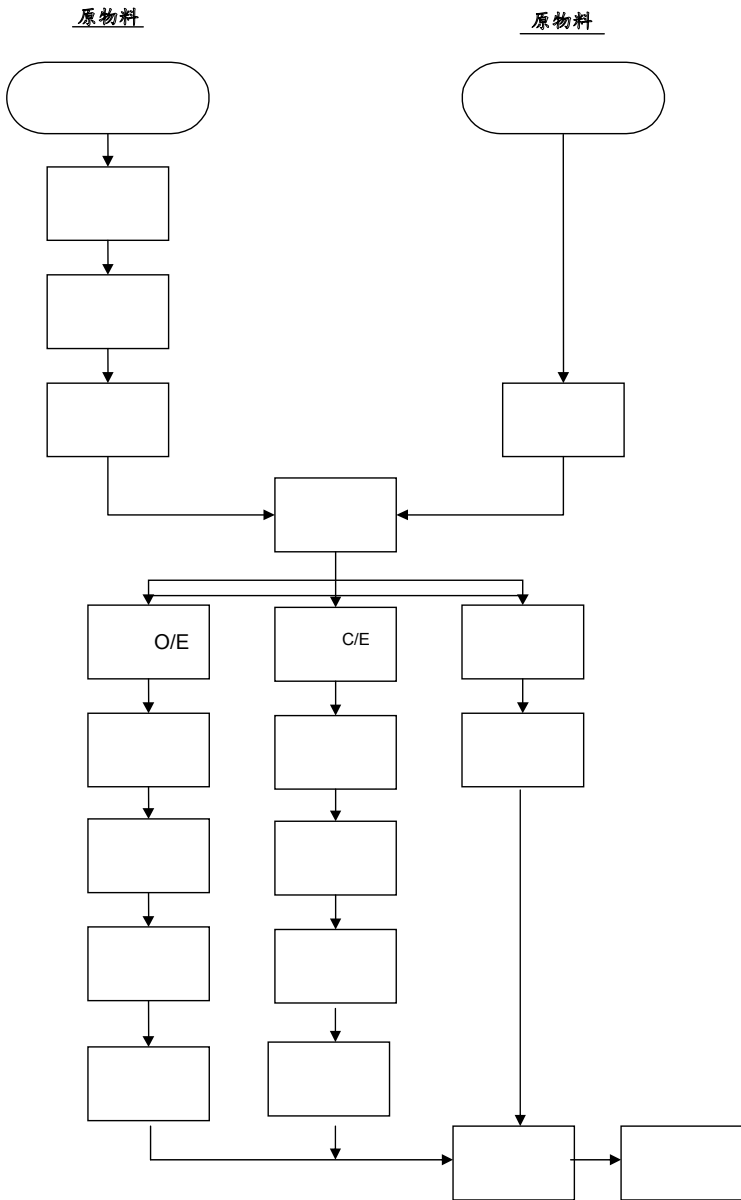
2

xxxxxxxxxxxxxxxx

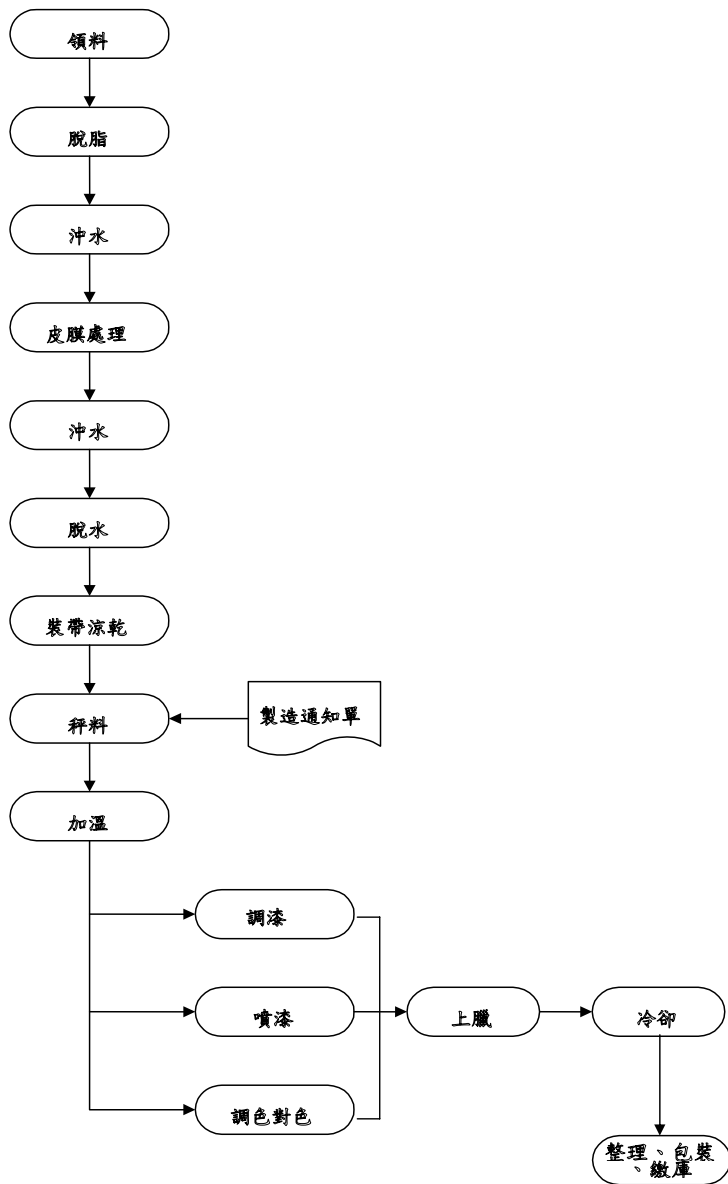




(E)



(F)



22

: ;

|  |     |  |
|--|-----|--|
|  |     |  |
|  | ( ) |  |
|  | ( ) |  |
|  | ( ) |  |
|  | ( ) |  |
|  | ( ) |  |
|  | ( ) |  |
|  | ( ) |  |
|  | ( ) |  |
|  | ( ) |  |

( ) ( ) ( ) ( ) ( )

|   |     | 98      |        | 99      |        | 100     |        |
|---|-----|---------|--------|---------|--------|---------|--------|
| 1 |     | 43,531  | 17.10  | 60,315  | 17.90  | 24,592  | 23.32  |
| 2 | MIT | 35,179  | 13.82  | 55,124  | 16.36  | 17,407  | 16.50  |
| 3 |     | 32,183  | 12.64  | 45,260  | 13.43  |         |        |
|   |     | 143,674 | 56.44  | 176,324 | 52.31  | 63,477  | 60.18  |
|   |     | 254,567 | 100.00 | 337,023 | 100.00 | 105,476 | 100.00 |

C 2

|  |  | 98      |        | 99      |        | 100     |        |
|--|--|---------|--------|---------|--------|---------|--------|
|  |  |         |        |         |        |         |        |
|  |  |         |        |         |        |         |        |
|  |  | 550,600 | 100.00 | 702,158 | 100.00 | 175,030 | 100.00 |
|  |  | 550,600 | 100.00 | 702,158 | 100.00 | 175,030 | 100.00 |

C 2

: ;

2

( ) ( )

|  | K2J22      |            |         | K2K22      |            |         |
|--|------------|------------|---------|------------|------------|---------|
|  |            |            |         |            |            |         |
|  | 53,412,700 | 42,314,100 | 220,656 | 78,981,500 | 62,047,300 | 291,584 |
|  | 6,852,300  | 4,282,700  | 50,570  | 10,966,500 | 5,363,700  | 68,377  |
|  | 3,510,000  | 2,925,700  | 91,530  | 6,795,000  | 3,948,500  | 125,145 |
|  | 3,459,100  | 2,550,200  | 23,505  | 5,115,000  | 3,618,600  | 30,008  |
|  |            | 2,125,500  | 5,804   |            | 288,300    | 1,777   |
|  |            | 54,198,200 | 392,065 |            | 75,266,400 | 516,891 |

2

2 ;

2

( ) ( )

|  | K2J22      |         |            |         | K2K22      |         |            |         |
|--|------------|---------|------------|---------|------------|---------|------------|---------|
|  |            |         |            |         |            |         |            |         |
|  | 11,218,800 | 65,409  | 33,106,900 | 193,023 | 18,454,000 | 95,789  | 44,186,900 | 229,360 |
|  | 1,334,900  | 14,456  | 3,939,300  | 42,659  | 1,788,000  | 21,456  | 4,281,200  | 51,376  |
|  | 1,124,700  | 27,354  | 3,319,000  | 80,721  | 1,410,400  | 45,056  | 3,377,300  | 107,884 |
|  | 735,500    | 8,453   | 2,170,300  | 24,945  | 1,517,100  | 13,178  | 3,632,600  | 31,553  |
|  |            |         | 8,348,800  | 93,580  |            |         | 3,742,200  | 106,506 |
|  | 14,413,900 | 115,672 | 50,884,300 | 434,928 | 23,169,500 | 175,479 | 59,220,200 | 526,679 |

2

2

2

|  |  | 98    | 99    | 100 4 30 |
|--|--|-------|-------|----------|
|  |  | 151   | 166   | 173      |
|  |  | 43    | 41    | 41       |
|  |  | 16    | 15    | 15       |
|  |  | 27    | 29    | 29       |
|  |  | 237   | 251   | 258      |
|  |  | 40.27 | 40.53 | 40.18    |
|  |  | 10.29 | 10.18 | 9.77     |
|  |  | 0.00  | 0.00  | 0.00     |
|  |  | 1.73  | 1.21  | 1.16     |
|  |  | 19.91 | 18.96 | 18.99    |
|  |  | 38.10 | 38.71 | 39.15    |
|  |  | 40.26 | 41.12 | 40.70    |

2

( )

( )

2

2

( )

2

2

( )

KK

FC

D>HBC

2

|  |       |       |
|--|-------|-------|
|  |       |       |
|  | 2     | 6     |
|  | 292   | 554   |
|  | 1,050 | 1,564 |
|  | 348   | 363   |
|  | 35    | 114   |
|  | 1,727 | 2,601 |

( )

2

G@G7

D7

2

( )

2

( )

2

( )

( )

2

2

2

2

2

2

2

2

2

2

2

|  |     |           |           |  |  |
|--|-----|-----------|-----------|--|--|
|  |     |           |           |  |  |
|  |     | 99/07/01  | 100/06/30 |  |  |
|  | ( ) | 100/01/01 | 100/12/31 |  |  |
|  | ( ) | 100/01/01 | 100/12/31 |  |  |
|  |     | 100/01/01 | 100/12/31 |  |  |
|  | ( ) | 100/01/01 | 100/12/31 |  |  |
|  |     | 100/01/01 | 100/12/31 |  |  |
|  |     | 100/01/01 | 100/12/31 |  |  |
|  |     |           | P111      |  |  |
|  |     |           | P111      |  |  |
|  |     |           | P111      |  |  |

2

2  
2  
2  
2  
2  
2  
2  
2  
2  
2  
2  
2

陸、財務概況

( )

|   |                | 2         |           |           |           |           | CBB       | E | EC |
|---|----------------|-----------|-----------|-----------|-----------|-----------|-----------|---|----|
|   |                | 2         | 2         | 2         | 2         | 2         |           |   |    |
|   | 2              | 350,065   | 369,572   | 349,622   | 385,960   | 390,289   | 457,188   |   |    |
|   | 2              | 73,536    | 57,433    | 156,819   | 205,804   | 225,332   | 221,786   |   |    |
|   | 2              | 219,295   | 264,478   | 263,099   | 255,313   | 270,415   | 268,660   |   |    |
|   | 2              | 0         | 0         | 0         | 0         | 1,857     | 0         |   |    |
|   | 2              | 33,497    | 37,572    | 40,406    | 23,940    | 23,122    | 23,960    |   |    |
|   | 2              | 676,393   | 729,055   | 809,946   | 871,017   | 911,015   | 971,594   |   |    |
| 2 | 2 2 2          | 287,947   | 266,795   | 262,789   | 291,814   | 348,710   | 412,572   |   |    |
|   | 2 2 2          | 287,947   | 266,795   | 262,789   | 291,814   | 348,710   | 412,572   |   |    |
|   | 2              | 52,991    | 91,615    | 77,045    | 95,811    | 76,114    | 80,137    |   |    |
|   | 2              | 40,643    | 59,710    | 61,216    | 62,871    | 65,524    | 63,291    |   |    |
| 2 | 2 2 2          | 381,581   | 418,120   | 401,050   | 450,496   | 490,348   | 556,000   |   |    |
|   | 2 2 2          | 381,581   | 418,120   | 401,050   | 450,496   | 490,348   | 556,000   |   |    |
|   | 2              | 378,000   | 378,000   | 488,000   | 488,000   | 488,000   | 488,000   |   |    |
|   | 2              | 49,985    | 49,985    | 36,588    | 36,588    | 36,588    | 36,588    |   |    |
| 2 | 2 2 2          | (137,717) | (163,765) | (166,209) | (151,435) | (135,527) | (140,792) |   |    |
|   | 2 2 2<br>: ; 2 | (137,717) | (163,765) | (166,209) | (151,435) | (135,527) | (140,792) |   |    |
|   | 2              | 2,425     | 117       | 0         | ( 85 )    | ( 5,564 ) | ( 7,029 ) |   |    |
|   | 2              | 2,119     | 5,257     | 9,176     | 6,112     | ( 3,642 ) | ( 1,985 ) |   |    |
|   | 2              | 0         | 41,341    | 41,341    | 41,341    | 40,812    | 40,812    |   |    |
| 2 | 2 2 2          | 294,812   | 310,935   | 408,896   | 420,521   | 420,667   | 415,594   |   |    |
|   | 2 2 2          | 294,812   | 310,935   | 408,896   | 420,521   | 420,667   | 415,594   |   |    |

CBB E EC

2

2

2

( )

| 2 | 2         |           |         |         |         | CBB E EC 2<br>; |
|---|-----------|-----------|---------|---------|---------|-----------------|
|   |           |           |         |         |         |                 |
|   | 554,688   | 583,468   | 523,091 | 550,600 | 702,158 | 175,030         |
|   | 77,259    | 64,663    | 65,290  | 65,788  | 100,542 | 17,319          |
|   | 2,988     | ( 8,157)  | 2,664   | ( 982)  | 29,847  | ( 196)          |
|   | 19,710    | 8,197     | 18,160  | 37,903  | 10,778  | 2,455           |
|   | 51,220    | 30,659    | 15,737  | 14,013  | 23,332  | 7,734           |
|   | ( 28,522) | ( 30,619) | 5,087   | 22,908  | 17,293  | ( 5,475)        |
|   | ( 27,485) | ( 26,048) | 6,159   | 14,774  | 15,908  | ( 5,265)        |
|   | ( 0.73)   | ( 0.69)   | 0.14    | 0.30    | 0.33    | ( 0.11)         |

2

CBB E EC

( )

|  |  |  |  |
|--|--|--|--|
|  |  |  |  |
|  |  |  |  |
|  |  |  |  |
|  |  |  |  |
|  |  |  |  |
|  |  |  |  |
|  |  |  |  |

( )

|              |   |         |         |        |         |        | 2       |   |   |
|--------------|---|---------|---------|--------|---------|--------|---------|---|---|
| 2 2 2<br>2 2 |   | 2 2 2 2 |         |        |         | 2      | 2       | 2 |   |
| 2            | 2 | 56.41   | 57.35   | 49.52  | 51.72   | 53.82  | 57.23   | 2 |   |
| 2            | 2 | 177.13  | 174.78  | 207.97 | 226.86  | 207.94 | 208.08  | 2 |   |
| 2            | 2 | 121.57  | 138.52  | 133.04 | 132.26  | 111.92 | 110.81  | 2 |   |
| 2            | 2 | 84.47   | 101.26  | 93.76  | 100.52  | 83.29  | 79.45   | 2 |   |
| 2            | 2 | -       | -       | 145.30 | 386.78  | 327.87 | -       | 2 |   |
| 2            | 2 | 3.58    | 4.26    | 5.29   | 5.69    | 7.61   | 6.42    | 2 |   |
| 2            | 2 | 101     | 85      | 69     | 64      | 48     | 57      | 2 |   |
| 2            | 2 | 4.20    | 4.85    | 4.35   | 4.50    | 5.43   | 4.98    | 2 |   |
| 2            | 2 | 6.71    | 7.51    | 7.47   | 7.66    | 7.95   | 6.92    | 2 |   |
| 2            | 2 | 86      | 75      | 84     | 81      | 67     | 73      | 2 |   |
| 2            | 2 | 2.53    | 2.21    | 1.98   | 2.16    | 2.60   | 2.61    | 2 |   |
| 2            | 2 | 0.82    | 0.80    | 0.65   | 0.63    | 0.77   | 0.72    | 2 |   |
| 2            | 2 | ( 3.13) | ( 2.78) | 1.89   | 2.47    | 2.49   | ( 0.38) | 2 |   |
| 2            | 2 | ( 8.97) | ( 8.60) | 1.71   | 3.56    | 3.78   | ( 1.26) | 2 |   |
| 2            | 2 | 0.79    | ( 2.16) | 0.48   | ( 0.20) | 6.12   | ( 0.04) | 2 |   |
| 2            | 2 | ( 7.55) | ( 8.10) | 1.04   | 4.69    | 3.54   | ( 1.12) | 2 |   |
| 2            | 2 | ( 4.96) | ( 4.46) | 1.18   | 2.68    | 2.27   | ( 3.01) | 2 |   |
| 2            | 2 | ( 0.73) | ( 0.69) | 0.14   | 0.30    | 0.33   | ( 0.11) | 2 |   |
| 2            | 2 | -       | 5.97    | -      | 17.06   | 10.31  | -       | 2 |   |
| 2            | 2 | 16.04   | 10.43   | 9.33   | 38.48   | 42.55  | 38.78   | 2 |   |
| 2            | 2 | -       | 2.40    | -      | 6.36    | 4.63   | -       | 2 |   |
| 2            | 2 | -       | -       | -      | -       | 6.46   | -       | 2 |   |
| 2            | 2 | -       | -       | -      | -       | 1.34   | -       | 2 |   |
| C@           |   | DB7     |         |        |         |        | 2       |   | 2 |
| D@           |   |         |         |        |         |        |         |   | 2 |
| E@           |   | A       |         |        |         |        | 2       |   | 2 |
| F@           |   | A       |         |        |         |        | 2       |   | 2 |

OBB E EC

2  
2

2  
2  
2  
2

1.

- (1)
- (2)

2.

- (1)
- (2)
- (3)

3.

- (1) ( ) ( )
- (2) 365
- (3)
- (4) ( ) ( )
- (5) 365
- (6)
- (7)

4.

- (1) ×
- (2)
- (3)
- (4) 4

5.

- (1)
- (2) ( )
- (3) ( ) ( ) ( )

6.

- (1) ( ) ( 6)
- (2) ( ) ( )

洪敏重  
陳永松  
何鄭美婷

2 2

2 2

2 2

2 2

2 2


 劉少恩
 
 楊靜婷

2

0920123784

2

0930128050

2 2

2 2

2 2

2

2

2 2

2 2

2 2

2 2





|      |            |       |            |       |
|------|------------|-------|------------|-------|
| 4000 | \$ 702,158 | 100   | \$ 550,600 | 100   |
| 5000 | ( 601,616) | ( 86) | ( 484,812) | ( 88) |
| 5910 | 100,542    | 14    | 65,788     | 12    |
| 6000 | ( 70,695)  | ( 10) | ( 66,770)  | ( 12) |
| 6900 | 29,847     | 4     | ( 982)     | -     |
| 7110 | 4,043      | 1     | 3,945      | 1     |
| 7121 | -          | -     | 23,684     | 4     |
| 7130 | 1,966      | -     | 543        | -     |
| 7140 | 3,056      | -     | 445        | -     |
| 7250 | -          | -     | 6,807      | 1     |
| 7480 | 1,713      | -     | 2,479      | 1     |
| 7100 | 10,778     | 1     | 37,903     | 7     |
| 7510 | ( 7,589)   | ( 1)  | ( 7,988)   | ( 1)  |
| 7521 | ( 1,643)   | -     | -          | -     |

2

2

|             |                    |                |                   |                |
|-------------|--------------------|----------------|-------------------|----------------|
| <u>7560</u> | <u>(\$ 13,178)</u> | <u>( 2)</u>    | <u>(\$ 3,029)</u> | <u>( 1)</u>    |
| 7880        | ( <u>922</u> )     | <u>-</u>       | ( <u>2,996</u> )  | ( <u>1</u> )   |
| 7500        | ( <u>23,332</u> )  | ( <u>3</u> )   | ( <u>14,013</u> ) | ( <u>3</u> )   |
| 7900        | 17,293             | 2              | 22,908            | 4              |
| 8110        | ( <u>1,385</u> )   | <u>-</u>       | ( <u>8,134</u> )  | ( <u>1</u> )   |
| 9600        | <u>\$ 15,908</u>   | <u>2</u>       | <u>\$ 14,774</u>  | <u>3</u>       |
| <u>9750</u> | <u>\$ 0.35</u>     | <u>\$ 0.33</u> | <u>\$ 0.47</u>    | <u>\$ 0.30</u> |





|                   |                  |                  |                     |                   |                   |                  |                   |
|-------------------|------------------|------------------|---------------------|-------------------|-------------------|------------------|-------------------|
| \$ 488,000        | \$ 36,588        | \$ 23,207        | (\$ 189,416)        | \$ 9,176          | \$ -              | \$ 41,341        | \$ 408,896        |
| -                 | -                | -                | 14,774              | -                 | -                 | -                | 14,774            |
| -                 | -                | -                | -                   | ( 3,064)          | -                 | -                | ( 3,064)          |
| -                 | -                | -                | -                   | -                 | ( 85)             | -                | ( 85)             |
| 488,000           | 36,588           | 23,207           | ( 174,642)          | 6,112             | ( 85)             | 41,341           | 420,521           |
| -                 | -                | -                | 15,908              | -                 | -                 | -                | 15,908            |
| -                 | -                | -                | -                   | ( 9,754)          | -                 | -                | ( 9,754)          |
| -                 | -                | -                | -                   | -                 | ( 5,479)          | -                | ( 5,479)          |
| -                 | -                | -                | -                   | -                 | -                 | ( 529)           | ( 529)            |
| <u>\$ 488,000</u> | <u>\$ 36,588</u> | <u>\$ 23,207</u> | <u>(\$ 158,734)</u> | <u>(\$ 3,642)</u> | <u>(\$ 5,564)</u> | <u>\$ 40,812</u> | <u>\$ 420,667</u> |





|     |  |                   |                   |
|-----|--|-------------------|-------------------|
|     |  | \$ 15,908         | \$ 14,774         |
|     |  | 969               | ( 6,807)          |
|     |  | ( 1,438)          | 13,651            |
|     |  | 1,373             | -                 |
|     |  | 15,062            | 14,613            |
|     |  | ( 3,056)          | ( 445)            |
|     |  | 1,643             | ( 23,684)         |
|     |  | ( 1,966)          | ( 543)            |
|     |  | 616               | 8,134             |
|     |  | 10,047            | ( 2,698)          |
| 2 2 |  | ( 6,935)          | ( 392)            |
|     |  | 3,688             | 21,121            |
|     |  | 701               | 7,129             |
| 2 2 |  | ( <u>658</u> )    | <u>4,927</u>      |
|     |  | <u>35,954</u>     | <u>49,780</u>     |
|     |  | ( 71,264)         | ( 13,615)         |
|     |  | 68,721            | 8,406             |
|     |  | 68,545            | ( 20,235)         |
|     |  | ( 20,249)         | 26,740            |
|     |  | ( 34,631)         | ( 28,365)         |
|     |  | ( 28,060)         | ( 16,282)         |
|     |  | 1,940             | 10,989            |
|     |  | ( 210)            | 6,250             |
| 2 2 |  | ( <u>148</u> )    | ( <u>719</u> )    |
|     |  | ( <u>15,356</u> ) | ( <u>26,831</u> ) |
|     |  | 24,324            | 10,884            |
|     |  | 20,000            | -                 |

2

2 2

2 2

|                    |                    |
|--------------------|--------------------|
| <u>(\$ 12,833)</u> | <u>\$ 4,091</u>    |
| <u>766</u>         | <u>( 1,726)</u>    |
| <u>32,257</u>      | <u>13,249</u>      |
| 52,855             | 36,198             |
| <u>65,454</u>      | <u>29,256</u>      |
| <u>\$ 118,309</u>  | <u>\$ 65,454</u>   |
| <u>\$ 7,540</u>    | <u>\$ 8,056</u>    |
| <u>\$ 20,985</u>   | <u>\$ 14,121</u>   |
| <u>(\$ 30,679)</u> | <u>(\$ 16,335)</u> |
| <u>2,619</u>       | <u>53</u>          |
| <u>(\$ 28,060)</u> | <u>(\$ 16,282)</u> |





2 \_\_\_\_\_  
2 2

2 2

2 2

237

251

2 \_\_\_\_\_  
2 2

2 2

\_\_\_\_\_   
2 2

\_\_\_\_\_   
2 2

---

2 2

2 2

2 2

2 2

---

2 2

2 2  
2 2

---

2 2

2 2

2 2

2 2

2 2

2 2

---

2 2

---

2 2

2 2

2 2

2 2

2 2

---

2 2

2 2

---

2 2

\_\_\_\_\_  
2 2

2 2

\_\_\_\_\_  
2 2

2 2

2 2

2 2

\_\_\_\_\_  
2 2

2 \_\_\_\_\_  
\_\_\_\_\_  
2 2

( )

( )

( )

6,056

0.12

2

\_\_\_\_\_

|  |                  |                  |
|--|------------------|------------------|
|  | \$ 2,026         | \$ 348           |
|  | 192              | 2,308            |
|  | 35,531           | 44,067           |
|  | <u>80,560</u>    | <u>18,731</u>    |
|  | <u>\$118,309</u> | <u>\$ 65,454</u> |

2

\_\_\_\_\_

|  |                 |                 |
|--|-----------------|-----------------|
|  | \$ 9,554        | \$ 3,955        |
|  | <u>( 1,858)</u> | <u>( 85)</u>    |
|  | <u>\$ 7,696</u> | <u>\$ 3,870</u> |

2

\_\_\_\_\_

|  |                  |                  |
|--|------------------|------------------|
|  | \$ 8,931         | \$ 11,741        |
|  | <u>( 139)</u>    | <u>( 165)</u>    |
|  | <u>\$ 8,792</u>  | <u>\$ 11,576</u> |
|  | \$ 2,771         | \$ 7,648         |
|  | 74,908           | 78,467           |
|  | <u>( 1,175)</u>  | <u>( 1,493)</u>  |
|  | <u>\$ 76,504</u> | <u>\$ 84,622</u> |

2      2 2

|         |  |                   |                   |
|---------|--|-------------------|-------------------|
| 2 2     |  | <u>\$ 15,756</u>  | <u>\$ 12,387</u>  |
|         |  | 85,193            | 82,402            |
|         |  | 12,314            | 13,230            |
| 2 2     |  | <u>318</u>        | <u>-</u>          |
|         |  | 113,581           | 108,019           |
|         |  | <u>( 23,691 )</u> | <u>( 25,129 )</u> |
|         |  | <u>\$ 89,890</u>  | <u>\$ 82,890</u>  |
| 2 2     |  |                   | 601,427           |
| 484,610 |  |                   | 1,438             |

|       |       |     |        |
|-------|-------|-----|--------|
| 3,109 | 4,582 | 286 |        |
| 1,373 |       |     | 13,651 |
|       | 3,475 | 904 |        |

151

2      \_\_\_\_\_

|                                               |                   |               |                   |               |
|-----------------------------------------------|-------------------|---------------|-------------------|---------------|
| 2 2 MAX INTERNATIONAL<br>INVESTMENT CO., LTD. | <u>\$ 125,065</u> | <u>100.00</u> | <u>\$ 104,541</u> | <u>100.00</u> |
| 2 2                                           | <u>100,267</u>    | <u>100.00</u> | <u>101,263</u>    | <u>100.00</u> |
|                                               | <u>225,332</u>    |               | <u>205,804</u>    |               |
| 2 2                                           | 1,064             | 6.72          | 1,064             | 6.72          |
| 2 2                                           | 1,492             | 0.23          | 1,492             | 0.23          |
| 2 2                                           | <u>3,437</u>      | <u>0.27</u>   | <u>3,437</u>      | <u>0.27</u>   |
|                                               | 5,993             |               | 5,993             |               |
|                                               | <u>( 5,993 )</u>  |               | <u>( 5,993 )</u>  |               |
|                                               | <u>-</u>          |               | <u>-</u>          |               |
|                                               | <u>\$ 225,332</u> |               | <u>\$ 205,804</u> |               |

2 ( ) MAX INTERNATIONAL INVESTMENT CO., LTD.

MAX INVESTMENT CONSULTING

CO., LTD. MAX INTERNATIONAL TRADING CO., LTD.

1,090 864

2 ( )

2 ( )

(1,643) 23,684

2 ( )

2 ( )

2 \_\_\_\_\_

|     |                   |                  |                      |                   |                   |
|-----|-------------------|------------------|----------------------|-------------------|-------------------|
| 2 2 | \$ 45,470         | \$ 50,971        | \$ -                 | \$ 96,441         | \$ 97,258         |
|     | 135,740           | -                | ( 68,686)            | 67,054            | 70,572            |
|     | 178,537           | -                | ( 131,302)           | 47,235            | 31,413            |
|     | 4,429             | -                | ( 3,514)             | 915               | 1,202             |
|     | 52,216            | -                | -                    | 52,216            | 52,216            |
|     | 3,291             | -                | ( 1,681)             | 1,610             | 1,693             |
|     | 12,188            | -                | ( 8,477)             | 3,711             | 959               |
|     | 1,233             | -                | -                    | 1,233             | -                 |
|     | <u>\$ 433,104</u> | <u>\$ 50,971</u> | <u>( \$ 213,660)</u> | <u>\$ 270,415</u> | <u>\$ 255,313</u> |

2 ( )

51,632

10,291

41,341

40,812

50,971

10,159

2 ( )

2

\_\_\_\_\_

|                  |                  |
|------------------|------------------|
| \$ 238           | \$ 736           |
| 1,616            | 417              |
| ( 1,616)         | ( 417)           |
| 37,052           | 45,522           |
| ( 14,821)        | ( 22,761)        |
| <u>653</u>       | <u>443</u>       |
| <u>\$ 23,122</u> | <u>\$ 23,940</u> |

\_\_\_\_\_

|                  |                  |
|------------------|------------------|
| \$164,954        | \$136,630        |
| 6,000            | 10,000           |
| <u>20,985</u>    | <u>14,121</u>    |
| <u>\$191,939</u> | <u>\$160,751</u> |

2 2

2.200%

3.405% 2.240% 3.840%

\_\_\_\_\_

|                  |                  |
|------------------|------------------|
| \$ 40,000        | \$ 20,000        |
| -                | -                |
| <u>\$ 40,000</u> | <u>\$ 20,000</u> |

2 2

1.450% 1.580% 1.900%

|                    |                  |                  |
|--------------------|------------------|------------------|
|                    | \$ 35,444        | \$ 37,749        |
| \$40,000           |                  |                  |
| 97.12.23 112.12.23 |                  |                  |
| 1.285%             |                  |                  |
| 98.01.23           |                  |                  |
| \$50,000           | 46,071           | 50,000           |
| 98.08.14 103.08.14 |                  |                  |
| 99.6.30            |                  |                  |
| +2.04%             |                  |                  |
| 99.6.30            |                  |                  |
| +2.32%             |                  |                  |
| 99.09.14           |                  |                  |
| \$8,000            | 6,000            | 7,600            |
| 98.09.16 103.09.16 |                  |                  |
| +2.25%             |                  |                  |
| 98.10.15           |                  |                  |
| \$15,000           | 9,584            | 14,583           |
| 98.11.20 101.11.20 |                  |                  |
| 2.96%              |                  |                  |
| 98.12.20           |                  |                  |
|                    | 97,099           | 109,932          |
|                    | ( 20,985)        | ( 14,121)        |
|                    | <u>\$ 76,114</u> | <u>\$ 95,811</u> |

2 2

2.420% 3.405% 2.300% 3.285%

\_\_\_\_\_  
2 2

4,695  
2 2

4,864

5.85%

2%

2,829      3,818

2 2

2 ( )

|                 |                 |
|-----------------|-----------------|
| \$ -            | \$ 755          |
| 1,831           | 2,242           |
| ( 509)          | ( 686)          |
| 1,507           | 1,507           |
| <u>-</u>        | <u>-</u>        |
| <u>\$ 2,829</u> | <u>\$ 3,818</u> |

2 ( )

|                  |                  |
|------------------|------------------|
| \$ 19,613        | \$ 9,433         |
| <u>55,914</u>    | <u>61,466</u>    |
| 75,527           | 70,899           |
| <u>24,091</u>    | <u>21,105</u>    |
| 99,618           | 92,004           |
| ( 25,786)        | ( 25,244)        |
| 73,832           | 66,760           |
| ( 12,058)        | ( 13,565)        |
| ( 13,890)        | ( 6,672)         |
| <u>1,857</u>     | <u>-</u>         |
| <u>\$ 49,741</u> | <u>\$ 46,523</u> |
| <u>\$ 25,139</u> | <u>\$ 11,916</u> |

2

( )

|              |              |
|--------------|--------------|
| <u>2.00%</u> | <u>2.00%</u> |
| 2.25%        | 2.00%        |
| 2.00%        | 2.00%        |

2 ( )

|                  |                  |
|------------------|------------------|
| <u>\$ 25,244</u> | <u>\$ 24,638</u> |
| 1,468            | 1,353            |
| ( 1,337)         | ( 910)           |
| <u>411</u>       | <u>163</u>       |
| <u>\$ 25,786</u> | <u>\$ 25,244</u> |

2 2

2 2

10

2 2

11,000,000

8,603

488,000

48,800,000

8

13,397

2 2

\$ 1,000  
289,000  
151,237  
66,763  
( 20,000)  
\$488,000

\_\_\_\_\_

\$ 3,778  
32,810  
\$ 36,588

\$ 3,778  
32,810  
\$ 36,588

---

2 2

2 ( )

2 ( )

2 ( )

2 2

2 2

2 2

2 2

---

| 2 2 | 105,823 | 23,815 | 129,638 | 81,577 | 20,977 | 102,554 |
|-----|---------|--------|---------|--------|--------|---------|
| 2 2 | 6,161   | 1,532  | 7,693   | 6,894  | 1,619  | 8,513   |
| 2 2 | 7,386   | 1,924  | 9,310   | 7,144  | 1,774  | 8,918   |
| 2 2 | 5,369   | 1,023  | 6,392   | 4,937  | 978    | 5,915   |
|     | 13,573  | 1,241  | 14,814  | 13,065 | 1,290  | 14,355  |
|     | 158     | 90     | 248     | 183    | 75     | 258     |

2 ( )

|         | \$ 17,293         | \$ 22,908         |
|---------|-------------------|-------------------|
| 2 2     | ( 3,056)          | ( 445)            |
| 2 2     |                   |                   |
|         | ( 2,710)          | ( 4,287)          |
| 2 2     | ( 1,708)          | -                 |
| 2 2 2 2 | ( 1,195)          | 3,929             |
| 2 2     |                   |                   |
|         | 956               | ( 7,888)          |
| 2 2     | 9,900             | 2,322             |
| 2 2     | 1,360             | 2,465             |
| 2 2     |                   |                   |
|         | 5,058             | ( 23,325)         |
| 2 2     | ( 1,438)          | 13,651            |
| 2 2     |                   |                   |
|         | ( 296)            | 1,618             |
| 2 2 2 2 | ( 184)            | -                 |
|         | ( <u>14,601</u> ) | ( <u>10,948</u> ) |
|         | 9,379             | -                 |
|         | <u>17%</u>        | <u>25%</u>        |
|         | 1,594             | -                 |
| 10%     | -                 | -                 |
|         | ( <u>825</u> )    | -                 |
|         | 769               | -                 |
|         | ( 5,005)          | 65                |
|         |                   |                   |
|         | <u>5,621</u>      | <u>8,069</u>      |
|         | <u>\$ 1,385</u>   | <u>\$ 8,134</u>   |

2 2

1.

2.

3.

2 ( )

|                   |                   |
|-------------------|-------------------|
| <u>\$ 10,040</u>  | <u>\$ 10,126</u>  |
| \$ 37,052         | \$ 45,522         |
| ( <u>14,821</u> ) | ( <u>22,761</u> ) |
| <u>\$ 22,231</u>  | <u>\$ 22,761</u>  |

2 ( )

|     |                       |
|-----|-----------------------|
| 2 2 | \$ -                  |
| 2 2 | ( <u>158,734</u> )    |
| 2 2 | ( <u>\$ 158,734</u> ) |
|     | <u>\$ 14,679</u>      |

2 ( )

2 2

48,800,000

2 2

---

2 ( )

2 2

2 2

157

2 2

2 ( )

2 ( )

1.

2.

3.

4.

2 ( )

|            |                 |                 |             |             |
|------------|-----------------|-----------------|-------------|-------------|
|            | <hr/>           | <hr/>           | <hr/>       | <hr/>       |
| <u>2 2</u> | <u>\$ 7,696</u> | <u>\$ 3,870</u> | <u>\$ -</u> | <u>\$ -</u> |

2 ( )

|         |  |         |
|---------|--|---------|
|         |  | 49,584  |
| 34,583  |  | 258,469 |
| 241,979 |  |         |

2 ( )

1.  
2 2

2.  
2 2

3.  
2 2

4.  
2 2

1%

2,585

2 ( ) \_\_\_\_\_

MAX INTERNATIONAL  
INVESTMENT CO., LTD.

MII

MAX INTERNATIONAL  
TRADING CO., LTD.

MIT

MAX INVESTMENT  
CONSULTING CO., LTD.

MIC

MAX  
INTERNATIONAL INVESTMENT  
CO., LTD.

MAX  
INTERNATIONAL INVESTMENT  
CO., LTD.

MAX  
INTERNATIONAL INVESTMENT  
CO., LTD.

2 ( ) \_\_\_\_\_

1. \_\_\_\_\_

|     |                  |             |                  |             |
|-----|------------------|-------------|------------------|-------------|
| MIT | <u>\$ 24,574</u> | <u>3.50</u> | <u>\$ 13,384</u> | <u>2.43</u> |
|-----|------------------|-------------|------------------|-------------|

(1) MIT MIT

(2) 965

1,076

2. \_\_\_\_\_

|                 |                 |
|-----------------|-----------------|
| <u>\$ 1,486</u> | <u>\$ 1,486</u> |
|-----------------|-----------------|

2 2

3. 2 2

|     |                  |              |                  |              |
|-----|------------------|--------------|------------------|--------------|
| MIT | <u>\$ 55,124</u> | <u>16.36</u> | <u>\$ 35,179</u> | <u>13.82</u> |
|-----|------------------|--------------|------------------|--------------|

2 2 MIT MIT  
MIT

4. \_\_\_\_\_

|     |                 |             |                 |             |
|-----|-----------------|-------------|-----------------|-------------|
| MIT | <u>\$ 2,771</u> | <u>3.57</u> | <u>\$ 7,648</u> | <u>8.88</u> |
|-----|-----------------|-------------|-----------------|-------------|

5. \_\_\_\_\_

|     |                  |               |                   |               |
|-----|------------------|---------------|-------------------|---------------|
| MII | \$ 14,874        | 34.63         | \$ 62,525         | 56.08         |
| MIT | -                | -             | 2,838             | 2.55          |
| MIC | 28,076           | 65.37         | 46,024            | 41.28         |
|     | <u>-</u>         | <u>-</u>      | <u>108</u>        | <u>0.09</u>   |
|     | <u>\$ 42,950</u> | <u>100.00</u> | <u>\$ 111,495</u> | <u>100.00</u> |

2 2 MII MIT MIC

2.50% 6.00% 4.00% 6.00%

4,003 3,335

2 ( ) \_\_\_\_\_

|     |                 |                 |
|-----|-----------------|-----------------|
| 2 2 | \$ 2,072        | \$ 1,205        |
| 2 2 | -               | -               |
|     | 280             | 400             |
| 2 2 | <u>-</u>        | <u>-</u>        |
|     | <u>\$ 2,352</u> | <u>\$ 1,605</u> |

2 ( ) \_\_\_\_\_

1. 6,365

200 6,384 200

2. MIT 10,050

790

712 790



2 ( )

|   |     |     |
|---|-----|-----|
|   |     |     |
| 1 |     |     |
| 2 |     |     |
| 3 |     |     |
| 4 | 20% |     |
| 5 |     | 20% |
| 6 |     | 20% |
| 7 | 20% |     |
| 8 |     | 20% |
| 9 |     |     |

2 ( )

|    |       |     |
|----|-------|-----|
|    |       |     |
| 1  | ..... |     |
| 2  |       |     |
| 3  |       |     |
| 4  |       |     |
| 5  | 20%   |     |
| 6  |       | 20% |
| 7  |       | 20% |
| 8  | 20%   |     |
| 9  |       | 20% |
| 10 |       |     |

2 ( )

|   |       |  |
|---|-------|--|
|   |       |  |
| 1 | ..... |  |
| 2 |       |  |
| 3 |       |  |
| 4 |       |  |
| 5 |       |  |

2 ( ) \_\_\_\_\_

2 2

2 ( ) \_\_\_\_\_

2 2

2 ( ) \_\_\_\_\_

2 2

703,434

553,400

2 2

2 2 2 2

2 2 2 2

2 2 2 2

2 2

\$ 67,770

363,280

64,145

\$ 495,195

208,239

\$ 703,434

\$ 43,548

323,010

38,692

\$ 405,250

148,150

\$ 553,400

2 ( ) \_\_\_\_\_

2 2



2

|   |  |  |  |                   |                                        |                                          |                  |              |                   |                                                                      |
|---|--|--|--|-------------------|----------------------------------------|------------------------------------------|------------------|--------------|-------------------|----------------------------------------------------------------------|
| 0 |  |  |  | <p>\$ 126,200</p> | <p>\$ 3,000</p> <p>87,240</p> <p>1</p> | <p>\$ 3,000</p> <p>87,240</p> <p>1 2</p> | <p>\$ 12,749</p> | <p>20.74</p> | <p>\$ 420,667</p> | <p>MAX INTERNATIONAL INVESTMENT CO., LTD.</p> <p>30%</p> <p>100%</p> |
|---|--|--|--|-------------------|----------------------------------------|------------------------------------------|------------------|--------------|-------------------|----------------------------------------------------------------------|

1

2

87,240

3,000











2

2 2

2 2

2 2

2 2




2

0920123784

2

0930128050

2 2

2 2

2 2

2

2

2 2

2 2

2

2





|      |                   |              |                   |              |
|------|-------------------|--------------|-------------------|--------------|
| 4000 | \$ 1,078,742      | 100          | \$ 1,080,747      | 100          |
| 5000 | ( 926,037 )       | ( 86 )       | ( 945,304 )       | ( 88 )       |
| 5910 | 152,705           | 14           | 135,443           | 12           |
| 6000 | ( 121,215 )       | ( 11 )       | ( 132,466 )       | ( 12 )       |
| 6900 | <u>31,490</u>     | <u>3</u>     | <u>2,977</u>      | <u>-</u>     |
| 7110 | 268               | -            | 665               | -            |
| 7130 | 1,781             | -            | 56,134            | 5            |
| 7140 | 10,247            | 1            | 445               | -            |
| 7250 | -                 | -            | 6,807             | 1            |
| 7480 | <u>4,689</u>      | <u>1</u>     | <u>4,498</u>      | <u>1</u>     |
| 7100 | <u>16,985</u>     | <u>2</u>     | <u>68,549</u>     | <u>7</u>     |
| 7510 | ( 14,796 )        | ( 2 )        | ( 17,541 )        | ( 2 )        |
| 7560 | ( 10,705 )        | ( 1 )        | ( 3,223 )         | -            |
| 7880 | ( <u>3,159</u> )  | <u>-</u>     | ( <u>3,191</u> )  | <u>-</u>     |
| 7500 | ( <u>28,660</u> ) | ( <u>3</u> ) | ( <u>23,955</u> ) | ( <u>2</u> ) |

2

|      |           |         |           |         |
|------|-----------|---------|-----------|---------|
| 7900 | \$ 19,815 | 2       | \$ 47,571 | 5       |
| 8110 | ( 5,417)  | ( 1)    | ( 9,476)  | ( 1)    |
| 9600 | \$ 14,398 | 1       | \$ 38,095 | 4       |
| 9601 | \$ 15,908 | 1       | \$ 14,774 | 2       |
| 9602 | ( 1,510)  | -       | 23,321    | 2       |
|      | \$ 14,398 | 1       | \$ 38,095 | 4       |
| 9750 | \$ 0.35   | \$ 0.33 | \$ 0.47   | \$ 0.30 |





2 2 2

|                   |                  |                  |                     |                   |                   |                  |                  |                   |
|-------------------|------------------|------------------|---------------------|-------------------|-------------------|------------------|------------------|-------------------|
| \$ 488,000        | \$ 36,588        | \$ 23,207        | (\$ 189,416)        | \$ 9,176          | \$ -              | \$ 41,341        | \$ 33,097        | \$ 441,993        |
| -                 | -                | -                | 14,774              | -                 | -                 | -                | 23,321           | 38,095            |
| -                 | -                | -                | -                   | ( 3,064)          | -                 | -                | ( 15,082)        | ( 18,146)         |
| -                 | -                | -                | -                   | -                 | ( 85)             | -                | -                | ( 85)             |
| 488,000           | 36,588           | 23,207           | ( 174,642)          | 6,112             | ( 85)             | 41,341           | 41,336           | 461,857           |
| -                 | -                | -                | 15,908              | -                 | -                 | -                | ( 1,510)         | 14,398            |
| -                 | -                | -                | -                   | ( 9,754)          | -                 | -                | ( 13,615)        | ( 23,369)         |
| -                 | -                | -                | -                   | -                 | ( 5,479)          | -                | -                | ( 5,479)          |
| -                 | -                | -                | -                   | -                 | -                 | ( 529)           | -                | ( 529)            |
| <u>\$ 488,000</u> | <u>\$ 36,588</u> | <u>\$ 23,207</u> | <u>(\$ 158,734)</u> | <u>(\$ 3,642)</u> | <u>(\$ 5,564)</u> | <u>\$ 40,812</u> | <u>\$ 26,211</u> | <u>\$ 446,878</u> |





|     |  |                    |                   |
|-----|--|--------------------|-------------------|
|     |  | \$ 14,398          | \$ 38,095         |
|     |  | 969                | ( 6,807)          |
|     |  | 54,099             | 55,833            |
|     |  | ( 10,247)          | ( 445)            |
|     |  | 2,613              | ( 1,693)          |
|     |  | 1,373              | -                 |
|     |  | ( 1,781)           | ( 56,134)         |
|     |  | 3,447              | 8,513             |
|     |  | 23,385             | ( 31,602)         |
| 2 2 |  | ( 8,228)           | ( 12,256)         |
|     |  | -                  | 151,347           |
|     |  | -                  | 2,568             |
|     |  | ( 50,576)          | 29,278            |
|     |  | ( 2,627)           | 6,602             |
|     |  | 2,707              | ( 12,498)         |
|     |  | -                  | ( 18,321)         |
| 2 2 |  | <u>4,624</u>       | <u>1,715</u>      |
|     |  | <u>34,156</u>      | <u>154,195</u>    |
|     |  | ( 109,995)         | ( 13,615)         |
|     |  | 91,552             | 8,406             |
|     |  | ( 20,249)          | 26,826            |
|     |  | ( 34,631)          | ( 28,365)         |
|     |  | ( 30,000)          | -                 |
|     |  | ( 35,397)          | ( 44,849)         |
|     |  | 1,975              | 75,532            |
|     |  | ( 211)             | 6,251             |
| 2 2 |  | ( <u>279</u> )     | ( <u>905</u> )    |
|     |  | ( <u>137,235</u> ) | ( <u>29,281</u> ) |
| 2   |  |                    |                   |

2

2

2 2

|  |                    |                    |
|--|--------------------|--------------------|
|  | <u>112,001</u>     | (\$ 47,323)        |
|  | 20,000             | -                  |
|  | ( 468)             | ( 3,415)           |
|  | ( 12,833)          | 4,091              |
|  | <u>920</u>         | ( <u>1,925</u> )   |
|  | <u>119,620</u>     | ( <u>48,572</u> )  |
|  | <u>724</u>         | <u>1,283</u>       |
|  | 17,265             | 136,187            |
|  | <u>175,394</u>     | <u>39,207</u>      |
|  | <u>\$ 192,659</u>  | <u>\$ 175,394</u>  |
|  | <u>\$ 14,822</u>   | <u>\$ 19,740</u>   |
|  | <u>\$ 20,985</u>   | <u>\$ 14,121</u>   |
|  | \$ 96,943          | \$ 8,406           |
|  | ( <u>5,391</u> )   | ( <u>8,406</u> )   |
|  | <u>\$ 91,552</u>   | <u>\$ -</u>        |
|  | (\$ 38,194)        | (\$ 44,290)        |
|  | <u>2,797</u>       | ( <u>559</u> )     |
|  | <u>(\$ 35,397)</u> | <u>(\$ 44,849)</u> |





2

\_\_\_\_\_

2 2

2 2

2 2 MAX INTERNATIONAL INVESTMENT CO., LTD. MII  
CO., LTD.

2 2 MAX INTERNATIONAL TRADING CO., LTD. MIT  
CO., LTD. MII CO., LTD.

2 2 MAX INVESTMENT CONSULTING CO., LTD. MIC  
CO., LTD.  
MII CO., LTD.

2 2

MII CO., LTD. MIC CO., LTD.

2 2

2 2

2 2

786 773

2

2 2

2 2

2 ( )

2 2

2 ( )

|               |               |         |         |               |
|---------------|---------------|---------|---------|---------------|
|               | MII CO., LTD. | 100.00% | 100.00% |               |
|               |               | 100.00% | 100.00% |               |
| MII CO., LTD. | MIT CO., LTD. | 100.00% | 100.00% |               |
|               | MIC CO., LTD. | 73.16%  | 62.04%  | MII CO., LTD. |
|               |               |         |         | MIC CO., LTD. |
|               |               |         |         | 11.12% 11.02% |
| MIC CO., LTD. |               | 100.00% | 100.00% |               |
|               |               | 100.00% | 100.00% |               |

2 2

2 2

---

2 2

2 2

---

2 2

---

2 2

2 2

2 2

2 2

---

2 2

---

2 2

---

2 2

---

2 2

2 2

2 2

---

2 2

---

2 2

---

2 2

2 2

2 2

2 2

2 2

---

2 2

---

2 2

2 2

---

2 2

2 2

---

2 2

2 2

---

2 2

2 2

2 2

2 2

2 2 MII CO., LTD. MIT CO., LTD. MIC CO., LTD.

2 \_\_\_\_\_  
 \_\_\_\_\_  
 2 2  
 ( )  
 ( )  
 ( )  
 20,680

0.12

2 \_\_\_\_\_

|  |                  |                  |
|--|------------------|------------------|
|  | \$ 2,074         | \$ 394           |
|  | 217              | 2,314            |
|  | 67,078           | 117,811          |
|  | <u>123,290</u>   | <u>54,875</u>    |
|  | <u>\$192,659</u> | <u>\$175,394</u> |

2 \_\_\_\_\_

|  |                  |                 |
|--|------------------|-----------------|
|  | \$ 25,253        | \$ 3,955        |
|  | 2,000            | -               |
|  | ( <u>5,564</u> ) | ( <u>85</u> )   |
|  | <u>\$ 21,689</u> | <u>\$ 3,870</u> |

2 \_\_\_\_\_

|  |                 |                  |
|--|-----------------|------------------|
|  | \$ 8,931        | \$ 11,741        |
|  | ( <u>139</u> )  | ( <u>165</u> )   |
|  | <u>\$ 8,792</u> | <u>\$ 11,576</u> |



2 2

2 \_\_\_\_\_

|     |                  |                  |                    |                   |                  |                  |
|-----|------------------|------------------|--------------------|-------------------|------------------|------------------|
| 2 2 | \$ 45,470        | \$ 50,971        | \$ -               | \$ -              | \$ 96,441        | \$ 97,258        |
|     | 230,329          | -                | ( 90,767)          | ( 2,620)          | 136,942          | 141,591          |
|     | 482,237          | -                | ( 296,165)         | ( 64)             | 186,008          | 202,942          |
|     | 10,147           | -                | ( 5,026)           | -                 | 5,121            | 6,425            |
|     | 52,216           | -                | -                  | -                 | 52,216           | 52,216           |
|     | 3,291            | -                | ( 1,681)           | -                 | 1,610            | 1,693            |
|     | 110,097          | -                | ( 58,891)          | ( 1,445)          | 49,761           | 51,885           |
|     | 4,015            | -                | -                  | -                 | 4,015            | 3,012            |
|     | <u>\$937,802</u> | <u>\$ 50,971</u> | <u>(\$452,530)</u> | <u>(\$ 4,129)</u> | <u>\$532,114</u> | <u>\$557,022</u> |

2 ( )

51,632

10,291

41,341

40,812

50,971

10,159

2 ( )

2 \_\_\_\_\_

\$ 35,817

\$ 25,559

1,857

-

\$ 37,674

\$ 25,559

2 2

---

|                  |                  |
|------------------|------------------|
| \$ 383           | \$ 1,338         |
| 7,628            | 13,430           |
| ( 7,628)         | ( 13,430)        |
| 55,311           | 61,308           |
| ( 30,455)        | ( 33,090)        |
| <u>653</u>       | <u>442</u>       |
| <u>\$ 25,892</u> | <u>\$ 29,998</u> |

---

|                  |                  |
|------------------|------------------|
| \$ 93,677        | \$ 10,000        |
| 270,864          | 248,913          |
| <u>20,985</u>    | <u>14,121</u>    |
| <u>\$385,526</u> | <u>\$273,034</u> |

2 2

1.2897% 5.5755% 2.240% 5.5755%

---

|                  |                  |
|------------------|------------------|
| \$ 40,000        | \$ 20,000        |
| <u>-</u>         | <u>-</u>         |
| <u>\$ 40,000</u> | <u>\$ 20,000</u> |

2 2

1.450% 1.580% 1.900%

|          |           |                  |                  |
|----------|-----------|------------------|------------------|
| \$40,000 |           | \$ 35,444        | \$ 37,749        |
| 97.12.23 | 112.12.23 |                  |                  |
|          | 1.285%    |                  |                  |
|          | 98.01.23  |                  |                  |
| \$50,000 |           | 46,071           | 50,000           |
| 98.08.14 | 103.08.14 |                  |                  |
| 99.6.30  |           |                  |                  |
| +2.04%   |           |                  |                  |
| 99.6.30  |           |                  |                  |
| +2.32%   |           |                  |                  |
|          | 99.09.14  |                  |                  |
| \$8,000  |           | 6,000            | 7,600            |
| 98.09.16 | 103.09.16 |                  |                  |
|          | +2.25%    |                  |                  |
|          | 98.10.15  |                  |                  |
| \$15,000 |           | 9,584            | 14,583           |
| 98.11.20 | 101.11.20 |                  |                  |
|          | 2.96%     |                  |                  |
|          | 98.12.20  |                  |                  |
|          |           | 97,099           | 109,932          |
|          |           | ( 20,985)        | ( 14,121)        |
|          |           | <u>\$ 76,114</u> | <u>\$ 95,811</u> |

2 2

2.420% 3.405% 2.300% 3.285%

2 2

4,864      4,716

2 2

5.85%

2%

2,829      3,818

2 2

2 ( )

|                 |                 |
|-----------------|-----------------|
| \$ -            | \$ 755          |
| 1,831           | 2,242           |
| ( 509)          | ( 686)          |
| 1,507           | 1,507           |
| -               | -               |
| <u>\$ 2,829</u> | <u>\$ 3,818</u> |

2 ( )

|                   |                   |
|-------------------|-------------------|
| \$ 19,613         | \$ 9,433          |
| <u>55,914</u>     | <u>61,466</u>     |
| 75,527            | 70,899            |
| <u>24,091</u>     | <u>21,105</u>     |
| 99,618            | 92,004            |
| ( <u>25,786</u> ) | ( <u>25,244</u> ) |
| 73,832            | 66,760            |
| ( 12,058)         | ( 13,565)         |
| ( 13,890)         | ( 6,672)          |
| <u>1,857</u>      | -                 |
| <u>\$ 49,741</u>  | <u>\$ 46,523</u>  |
| <u>\$ 25,139</u>  | <u>\$ 11,916</u>  |

2 ( )

2.00%  
2.25%  
2.00%

2.00%  
2.00%  
2.00%

2 ( )

\$ 25,244  
1,468  
( 1,337)  
411  
\$ 25,786

\$ 24,638  
1,353  
( 910)  
163  
\$ 25,244

2 2

2 2

488,000

48,800,000

10

2 2

8

11,000,000

13,397

8,603

2 2

\$ 1,000  
289,000  
151,237  
66,763  
( 20,000 )  
\$488,000

\_\_\_\_\_

\_\_\_\_\_  
\$ 3,778  
  32,810  
\$ 36,588

\_\_\_\_\_  
\$ 3,778  
  32,810  
\$ 36,588

\_\_\_\_\_  
2 2

2 ( )

2 ( )

2 ( )

2 2

2 2

2 2

2 2

|     |         |        |         |         |        |         |
|-----|---------|--------|---------|---------|--------|---------|
|     |         |        |         |         |        |         |
| 2 2 | 170,576 | 40,361 | 210,937 | 139,774 | 44,827 | 184,601 |
| 2 2 | 6,161   | 1,532  | 7,693   | 6,894   | 1,640  | 8,534   |
| 2 2 | 10,957  | 2,856  | 13,813  | 11,336  | 2,756  | 14,092  |
| 2 2 | 7,846   | 1,492  | 9,338   | 6,579   | 1,482  | 8,061   |
|     | 48,609  | 3,760  | 52,369  | 50,063  | 4,017  | 54,080  |
|     | 993     | 737    | 1,730   | 1,182   | 571    | 1,753   |

2 ( )

|     |     |                  |                  |
|-----|-----|------------------|------------------|
|     |     | \$ 17,293        | \$ 22,908        |
| 2 2 |     | ( 3,056)         | ( 445)           |
| 2 2 |     | ( 2,710)         | ( 4,287)         |
| 2 2 |     | ( 1,708)         | -                |
| 2 2 | 2 2 | ( 1,195)         | 3,929            |
| 2 2 |     | 956              | ( 7,888)         |
| 2 2 |     | 9,900            | 2,322            |
| 2 2 |     | 1,360            | 2,465            |
| 2 2 |     | ( 296)           | 1,618            |
| 2 2 |     | ( 1,438)         | 13,651           |
| 2 2 |     | 5,058            | ( 23,325)        |
| 2 2 | 2 2 | ( 184)           | -                |
|     |     | <u>( 14,601)</u> | <u>( 10,948)</u> |
|     |     | 9,379            | -                |
|     |     | <u>17%</u>       | <u>25%</u>       |
|     |     | 1,594            | -                |
|     | 10% | -                | -                |
|     |     | <u>( 825)</u>    | <u>-</u>         |
|     |     | 769              | -                |
|     |     | ( 5,005)         | 65               |

|                 |                 |
|-----------------|-----------------|
| \$ 5,621        | \$ 8,069        |
| <u>4,032</u>    | <u>1,342</u>    |
| <u>\$ 5,417</u> | <u>\$ 9,476</u> |

2 2

1.

2.

3.

2 2

2 ( )

|                   |                   |
|-------------------|-------------------|
| \$ 14,179         | \$ 10,434         |
| ( <u>3,830</u> )  | <u>-</u>          |
| <u>\$ 10,349</u>  | <u>\$ 10,434</u>  |
| \$ 55,311         | \$ 61,308         |
| ( <u>30,455</u> ) | ( <u>33,090</u> ) |
| <u>\$ 24,856</u>  | <u>\$ 28,218</u>  |

2 ( )

2 2

2 2

2 2

|                       |
|-----------------------|
| \$ -                  |
| ( <u>158,734</u> )    |
| ( <u>\$ 158,734</u> ) |
| <u>\$ 14,679</u>      |

2 ( )

---

2 2

48,800,000

2 2

---

2 ( )

2 2

2 2

157

2 2

2 ( )

2 ( )

1.

2.

3.

4.

2 ( )

|    |           |          |      |      |
|----|-----------|----------|------|------|
| 22 | \$ 21,689 | \$ 3,870 | \$ - | \$ - |
|----|-----------|----------|------|------|

2 ( )

|         |         |
|---------|---------|
|         | 155,494 |
| 34,583  | 364,146 |
| 354,262 |         |

2 ( )

1.

2 2

2.

2 2

3.

2 2

4.

2 2

1%

3,641

2 ( ) \_\_\_\_\_

2 ( ) \_\_\_\_\_

1. \_\_\_\_\_

\$ 1,486

\$ 1,486

2 2

2. \_\_\_\_\_

2 2

\$ 468

\$ -

\$ -

2 2

\$ 3,883

\$ 468

\$ -

2 2

2 ( ) \_\_\_\_\_

|     |          |          |
|-----|----------|----------|
| 2 2 | \$ 3,802 | \$ 1,699 |
| 2 2 | -        | -        |
|     | 280      | 400      |
| 2 2 | \$ 4,082 | \$ 2,099 |

\_\_\_\_\_

2 2

|     |            |
|-----|------------|
| 2 2 | \$ 22,249  |
| 2 2 | 96,441     |
|     | 136,943    |
|     | 32,829     |
|     | 1,610      |
|     | 9,185      |
|     | 35,817     |
|     | \$ 335,074 |

\_\_\_\_\_

2 2

2 ( )

2 ( )

|     |          |         |            |          |         |            |
|-----|----------|---------|------------|----------|---------|------------|
| 2 2 | \$ 5,401 | 29,6754 | \$ 160,281 | \$ 3,584 | 32,2247 | \$ 115,505 |
| 2 2 | 9,159    | 0,3541  | 3,243      | 26,015   | 0,3568  | 9,281      |
| 2 2 | 1,289    | 3,9444  | 5,086      | 1,057    | 4,1393  | 4,374      |
|     | 24,220   | 4,4129  | 106,884    | 16,442   | 4,6785  | 76,921     |
| 2 2 | 3,170    | 29,2723 | 92,792     | 116      | 32,3390 | 3,745      |
| 2 2 | 238      | 5,6161  | 1,335      | 341      | 4,2085  | 1,434      |
|     | 40,255   | 4,4144  | 177,699    | 51,414   | 4,6786  | 240,545    |

2 ( )

|    |     |     |
|----|-----|-----|
|    |     |     |
| 1  |     |     |
| 2  |     |     |
| 3  |     |     |
| 4  | 20% |     |
| 5  |     | 20% |
| 6  |     | 20% |
| 7  | 20% |     |
| 8  |     | 20% |
| 9  |     |     |
| 10 |     |     |

2 ( )

|    |       |     |
|----|-------|-----|
|    |       |     |
| 1  | ..... |     |
| 2  |       |     |
| 3  |       |     |
| 4  |       |     |
| 5  | 20%   |     |
| 6  |       | 20% |
| 7  |       | 20% |
| 8  | 20%   |     |
| 9  |       | 20% |
| 10 |       |     |

2 ( )

|   |       |  |
|---|-------|--|
|   |       |  |
| 1 | ..... |  |
| 2 |       |  |
| 3 |       |  |
| 4 |       |  |
| 5 |       |  |

2 ( )

2 2

|                    |                  |                      |                    |
|--------------------|------------------|----------------------|--------------------|
|                    |                  |                      |                    |
| <u>\$1,078,742</u> | \$ -             | \$ -                 | \$1,078,742        |
| <u>165,004</u>     | -                | ( 165,004)           | -                  |
| <u>\$1,243,746</u> | \$ -             | ( \$ 165,004)        | <u>\$1,078,742</u> |
| <u>\$ 152,816</u>  | <u>\$ -</u>      | ( <u>\$ 111</u> )    | \$ 152,705         |
|                    |                  |                      | ( 121,215)         |
|                    |                  |                      | 16,985             |
|                    |                  |                      | ( 28,660)          |
|                    |                  |                      | <u>\$ 19,815</u>   |
| <u>\$1,201,221</u> | <u>\$ 72,472</u> | ( <u>\$ 96,014</u> ) | \$1,177,679        |
|                    |                  |                      | 30,000             |
|                    |                  |                      | <u>\$1,207,679</u> |
| <u>\$ 53,313</u>   | <u>\$ 786</u>    |                      |                    |
| <u>\$ 39,415</u>   | <u>\$ -</u>      |                      |                    |

|                     |                   |                      |                     |
|---------------------|-------------------|----------------------|---------------------|
| \$ 922,279          | \$ 158,468        | \$ -                 | \$ 1,080,747        |
| <u>104,129</u>      | <u>-</u>          | <u>( 104,129)</u>    | <u>-</u>            |
| <u>\$ 1,026,408</u> | <u>\$ 158,468</u> | <u>( \$ 104,129)</u> | <u>\$ 1,080,747</u> |
| <u>\$ 116,905</u>   | <u>\$ 22,767</u>  | <u>( \$ 4,229)</u>   | \$ 135,443          |
|                     |                   |                      | ( 132,466)          |
|                     |                   |                      | 68,549              |
|                     |                   |                      | ( 23,955)           |
|                     |                   |                      | <u>\$ 47,571</u>    |
| <u>\$ 1,344,022</u> | <u>\$ 81,778</u>  | <u>( \$ 267,744)</u> | \$ 1,158,056        |
|                     |                   |                      | <u>-</u>            |
|                     |                   |                      | <u>\$ 1,158,056</u> |
| <u>\$ 55,817</u>    | <u>\$ 16</u>      |                      |                     |
| <u>\$ 44,849</u>    | <u>\$ -</u>       |                      |                     |

2 ( )

2 2

|                   |                  |                   |                      |                     |
|-------------------|------------------|-------------------|----------------------|---------------------|
| \$ 401,269        | \$ -             | \$ 677,473        | \$ -                 | \$ 1,078,742        |
| <u>55,851</u>     | <u>84,468</u>    | <u>24,685</u>     | <u>( 165,004)</u>    | <u>-</u>            |
| <u>\$ 457,120</u> | <u>\$ 84,468</u> | <u>\$ 702,158</u> | <u>( \$ 165,004)</u> | <u>\$ 1,078,742</u> |
| <u>\$ 47,924</u>  | <u>\$ 4,351</u>  | <u>\$ 100,541</u> | <u>( \$ 111)</u>     | \$ 152,705          |
|                   |                  |                   |                      | ( 121,215)          |
|                   |                  |                   |                      | 16,985              |
|                   |                  |                   |                      | ( 28,660)           |
|                   |                  |                   |                      | <u>\$ 19,815</u>    |
| <u>\$ 465,715</u> | <u>\$ 49,823</u> | <u>\$ 758,155</u> | <u>( \$ 96,014)</u>  | \$ 1,177,679        |
|                   |                  |                   |                      | 30,000              |
|                   |                  |                   |                      | <u>\$ 1,207,679</u> |

|                   |                   |                   |                      |                     |
|-------------------|-------------------|-------------------|----------------------|---------------------|
| \$ 387,102        | \$ -              | \$ 693,645        | \$ -                 | \$ 1,080,747        |
| <u>29,820</u>     | <u>60,886</u>     | <u>13,423</u>     | <u>( 104,129)</u>    | <u>-</u>            |
| <u>\$ 416,922</u> | <u>\$ 60,886</u>  | <u>\$ 707,068</u> | <u>( \$ 104,129)</u> | <u>\$ 1,080,747</u> |
| <u>\$ 41,802</u>  | <u>\$ 9,314</u>   | <u>\$ 88,556</u>  | <u>( \$ 4,229)</u>   | \$ 135,443          |
|                   |                   |                   |                      | ( 132,466)          |
|                   |                   |                   |                      | 68,549              |
|                   |                   |                   |                      | ( 23,955)           |
|                   |                   |                   |                      | <u>\$ 47,571</u>    |
| <u>\$ 513,080</u> | <u>\$ 124,720</u> | <u>\$ 788,000</u> | <u>( \$ 267,744)</u> | \$ 1,158,056        |
|                   |                   |                   |                      | <u>-</u>            |
|                   |                   |                   |                      | <u>\$ 1,158,056</u> |

2 ( )

2 2

1,080,562

1,084,328

2 2

2 2 2 2

2 2 2 2

2 2 2 2

2 2

|               |       |                     |               |                     |
|---------------|-------|---------------------|---------------|---------------------|
|               | <hr/> | <hr/>               | <hr/>         | <hr/>               |
|               |       | \$ 872,323          |               | \$ 787,709          |
| \$ 68,230     |       |                     | \$ 44,814     |                     |
| 717,162       |       |                     | 654,072       |                     |
| <u>86,931</u> |       |                     | <u>88,823</u> |                     |
|               |       | <u>208,239</u>      |               | <u>296,619</u>      |
|               |       | <u>\$ 1,080,562</u> |               | <u>\$ 1,084,328</u> |

2 ( )

2 2

















柒、財務狀況及經營結果之檢討分析與評估風險事項

| 2 2 2 | 2         |           | 2222 2    |          |
|-------|-----------|-----------|-----------|----------|
|       |           |           | 22 2      | 2        |
| 2     | 390,289   | 385,960   | 4,329     | 1.12     |
| 2     | 225,332   | 205,804   | 19,528    | 9.49     |
| 2     | 270,415   | 255,313   | 15,102    | 5.92     |
| 2     | 24,979    | 23,940    | 1,039     | 4.34     |
| 2     | 911,015   | 871,017   | 39,998    | 4.59     |
| 2     | 348,710   | 291,814   | 56,896    | 19.50    |
| 2     | 76,114    | 95,811    | (19,697)  | (20.56)  |
| 2     | 65,524    | 62,871    | 2,653     | 4.22     |
| 2     | 490,348   | 450,496   | 39,852    | 8.85     |
| 2 2 2 | 488,000   | 488,000   | 0         | 0        |
| 2     | 36,588    | 36,588    | 0         | 0        |
| 2     | (135,527) | (151,435) | 15,908    | 10.50    |
| 2     | 31,606    | 47,368    | ( 15,762) | ( 33.27) |
| 2     | 420,667   | 420,521   | 146       | 0.03     |

@  
D@

2

2

2





```

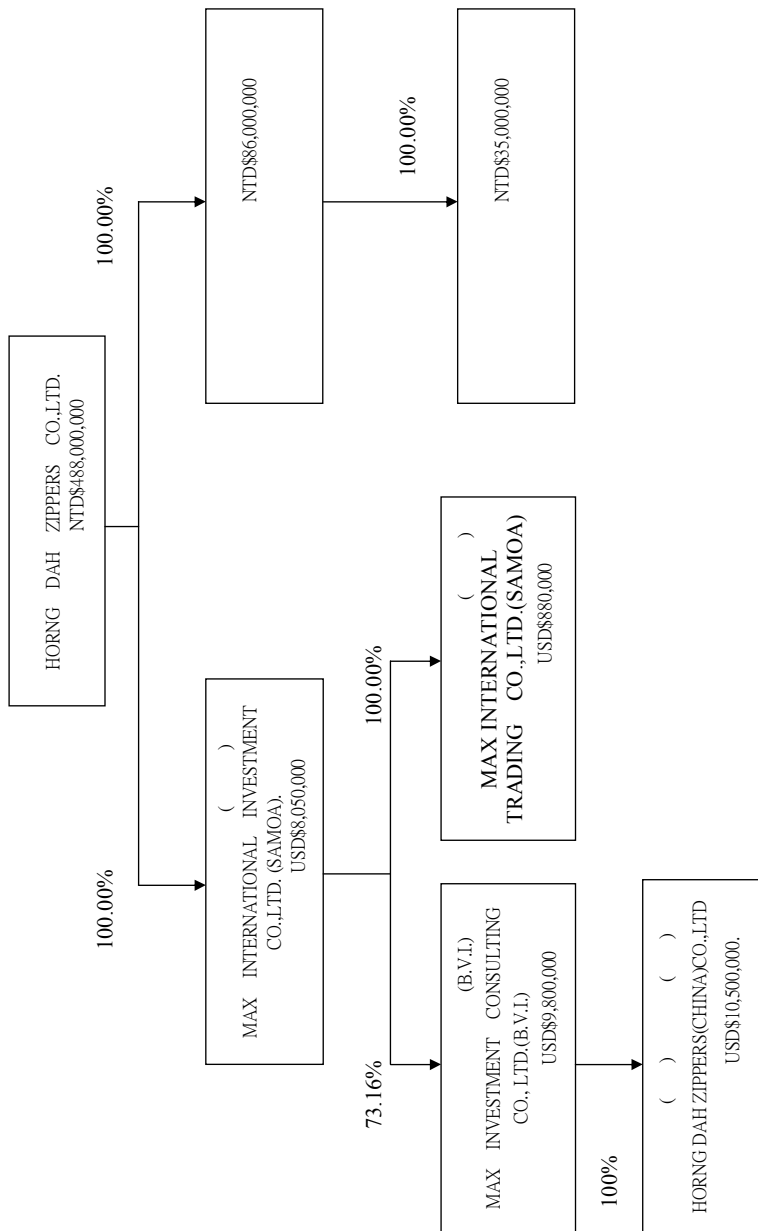
      2
E@           2
      222
: ;
      2
C@
      22
D@           2
E@           2
      KK  OD  EC      JI >DFB
: ;           2
: ;           2
      @
: ;           2
: ;           2
      2
: ;           2
: ;           2
: ;
      2
: ;
: ;           2
: ;
      2
: ;           2
2

```

捌、特別記載事項

( )

1.





6.

|                                           | ( 1)    | ( 1)    | ( 1)    | ( 1)    | ( 2)    | ( )<br>( 2) | ( )<br>( 2) | ( )<br>( )/( 2) |
|-------------------------------------------|---------|---------|---------|---------|---------|-------------|-------------|-----------------|
| MAX INTERNATIONAL INVESTMENT CO., LTD.    | 234,094 | 145,542 | 14,695  | 130,846 | 0       | (96)        | ( 5,058)    | (0.02)          |
| MAX INVESTMENT CONSULTING (BVI) CO., LTD. | 284,984 | 125,742 | 28,076  | 97,666  | 0       | 0           | ( 6,377)    | (0.02)          |
| ( )                                       | 382,930 | 438,143 | 312,404 | 125,739 | 456,763 | 4,503       | ( 5,361)    | (0.01)          |
| MAX INTERNATIONAL TRADING CO., LTD.       | 25,590  | 35,080  | 7,477   | 27,603  | 84,821  | 757         | 757         | 0.03            |
| 2                                         | 86,000  | 101,266 | 1,000   | 100,267 | 0       | ( 3,055)    | 2,710       | 0.32            |
|                                           | 35,000  | 43,660  | 1,206   | 42,455  | 0       | ( 412)      | ( 677)      | (0.12)          |

C = 29@BJ 1 =6.5897  
 2 1 = 31.468 1 =6.7690

( )

2 2 2 2

2 2

2

2 2



2 2

2 2

2 2

2

2

2 2

2 2

2

2

( )

玖、最近年度及截至年報刊印日止，發生證券交易法第三十六條第二項第二款所定對股東權益或證券價格有重大影響之事項：無

**MAX<sup>®</sup>**

宏大拉鍊股份有限公司  
MAX ZIPPER CO., LTD.



中華民國 一〇〇 年 六 月 二 十 八 日